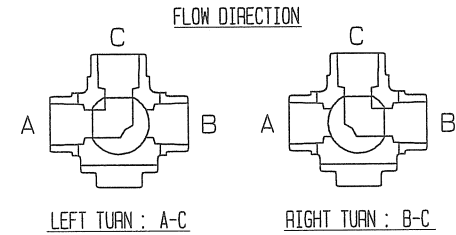


SIZE	P	L	PIPE THREADS		A	H	W	C	E	G	Q, TY
			d								
1/2	10	75	Rc 1/2		39	94	130	67	19	7	
3/4	15	85	Rc 3/4		43	98	130	71	23	7	

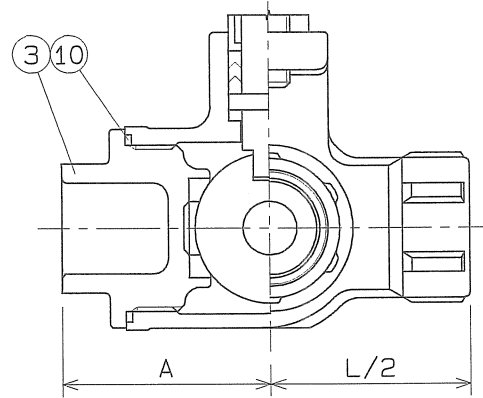
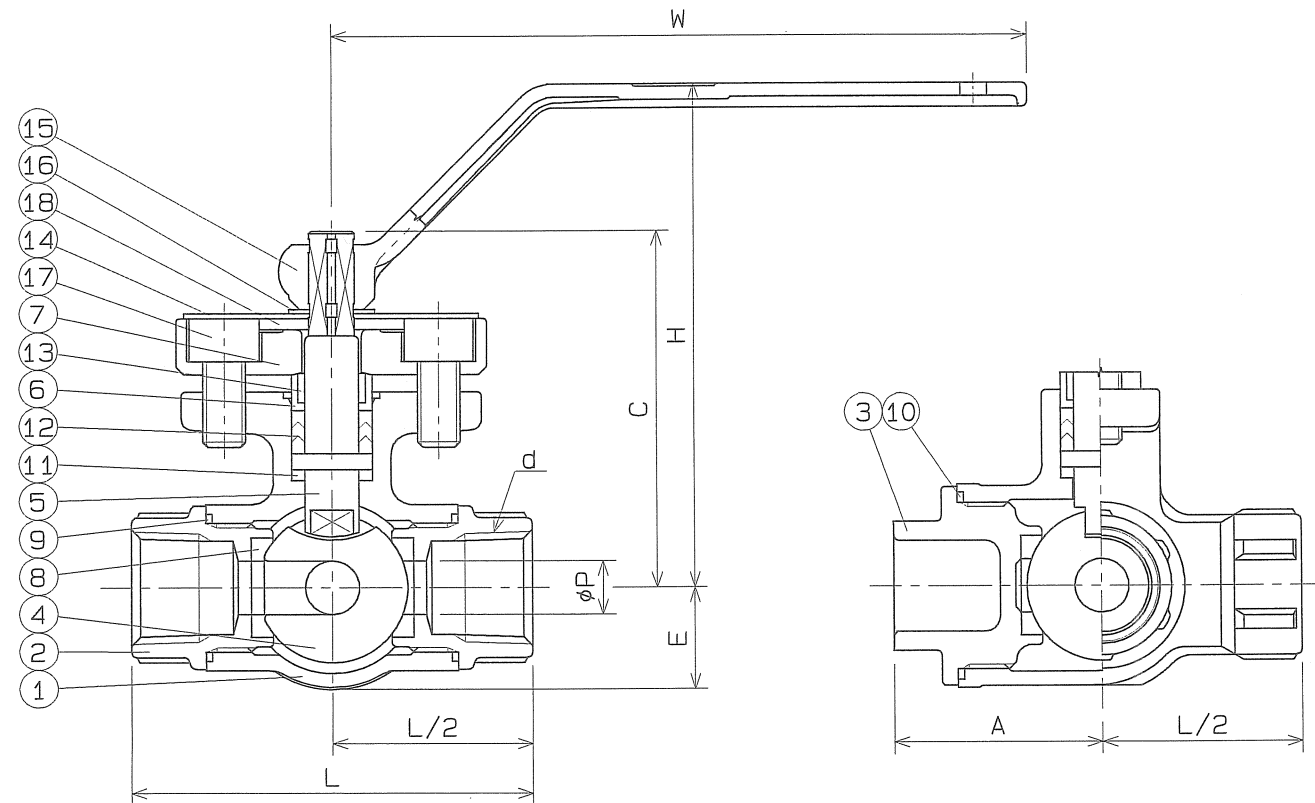
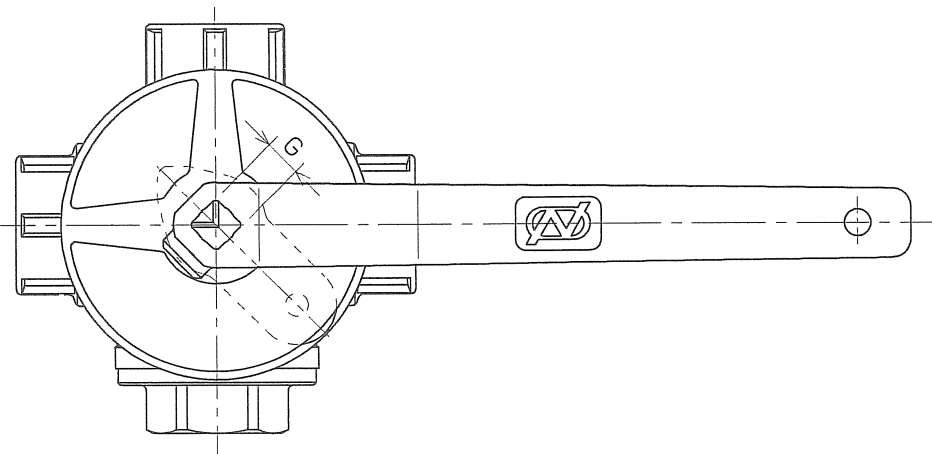
SPEC.		TEST PRESS.	
FLUID		SHELL	HYDRO 2.1 MPa (21.4 kgf/cm ²)
PRESS.	MPa (kgf/cm ²)	SEAT	AIR 0.6 MPa (6.1 kgf/cm ²)
TEMP.	°C	AIR	MPa (kgf/cm ²)



PIPE THREADS CONFORM WITH "JIS B 0203" TAPER THREADS

18	STOPPER	1	SUS 304	
17	GLAND BOLT	2	SUS 304	
16	STOP RING	1	SUS 304	
15	HAND LEVER	1	SCS 13	
14	FLOW PLATE	1	A1050P	
13	STEM BEARING	1	P.T.F.E.	GLASS FILLED
12	GLAND PACKING	1SET	P.T.F.E.	
11	THRUST BEARING	1	P.T.F.E.	GLASS FILLED
10	GASKET PACKING	1	P.T.F.E.	
*9	GASKET PACKING	2	P.T.F.E.	
*8	BALL SEAT	4	P.T.F.E.	
7	GLAND	1	SCS 13	
6	GLAND SLEEVE	1	SUS 316	
5	STEM	1	SUS 316	
4	BALL DISC	1	SUS 316	
3	BLIND CAP	1	SCS 14	
2	BODY CAP	2	SCS 14	
1	BODY	1	SCS 14	

No.	NAME OF PARTS	Q. TY	MATERIALS	REMARKS
NAME JIS 10K SCREWED ENDS THREE WAY BALL VALVES				
TYPE		N-730L	SIZE	1/2, 3/4B
DNG. No.		BATS-0898	APPROVED BY <i>R. Takahashi</i>	
DATE		AUG. 2. 2004	CHECKED BY <i>S. Akita</i>	
SCALE		:	DESIGNED BY <i>R. Takahashi</i>	
THIRD ANGLE PROJECTION METHOD			DRAWN BY <i>R. Takahashi</i>	



△		
△		
△	注記の追記	'06. 3. 13.

△ *SCS14製の部品はロスト・ワックス鋳造法で製造しています