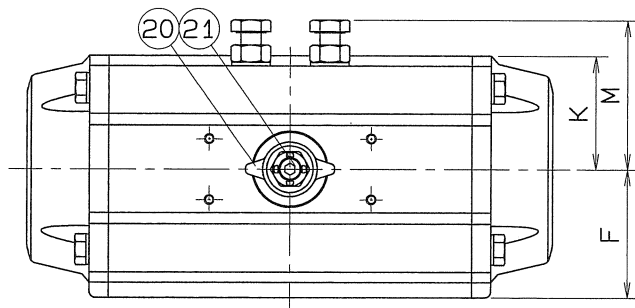
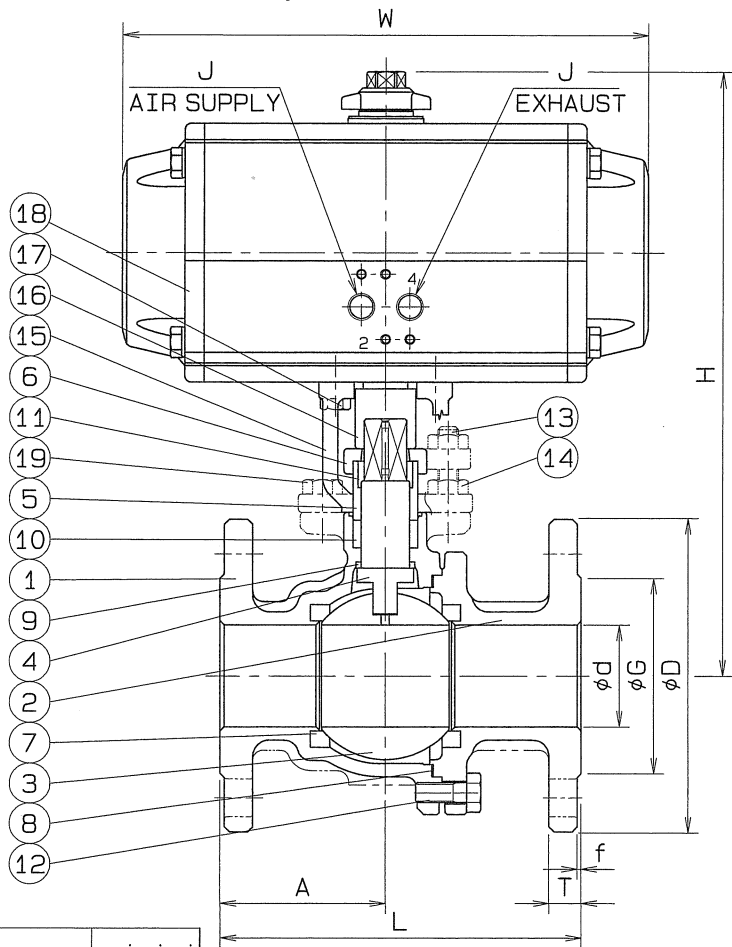


◇ 002G-5200 BAAS-5200



SIZE	d	L	D	T	G	f	BOLT HOLE			A	H	W	F	K	J	M	CYLINDER SIZE	Q, TY
							C	n	h									
15	15	108	95	12	51	1	70	4	15	47.5	175	135.5	42	29	G1/8	43	AT051US4	
20	20	117	100	14	56	1	75	4	15	51	199	153.5	48.5	36	G1/8	50	AT101US08	
25	25	127	125	14	67	1	90	4	19	56	202	153.5	48.5	36	G1/8	50	AT101US08	
32	32	140	135	16	76	2	100	4	19	60	245	203.5	50.5	42.5	G1/8	60	AT201US08	
40	40	165	140	16	81	2	105	4	19	75	264	241	56.5	49.5	G1/8	65	AT251US08	
50	50	178	155	16	96	2	120	4	19	81.5	298	259	63	55.5	G1/4	76	AT301US08	
65	65	190	175	18	116	2	140	4	19	89.5	348	333	77	69.5	G1/4	93	AT401US08	
80	80	203	185	18	126	2	150	8	19	90.5	395	333	77	69.5	G1/4	93	AT401US08	
100	100	229	210	18	151	2	175	8	19	104.5	471	422.5	93	88	G1/4	110	AT501US08	

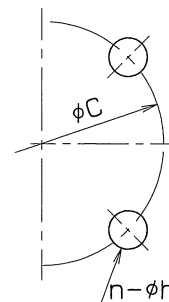


SPEC.		TEST PRESSURE	
FLUID	清水	SHELL	HYDRO 2.1 MPa (21.4kgf/cm ²)
PRESS.	0.98 MPa (10 kgf/cm ²) 以下	SEAT	AIR 0.6 MPa (6.1kgf/cm ²)
TEMP.	常温 ℃		AIR MPa (kgf/cm ²)

注) 上記の流体条件と異なる場合
シリンダサイズが変更になる場合があります。

TORQUE CYLINDER

TYPE	ATUS	OPERATION PROPERTY	ON-OFF
ACTION	SINGLE		ON-OFF
SUPPLY PRESSURE	0.39 MPa (4 kgf/cm ²)	HAND DEVICE	NOTHING



OPERATION

PORT2 AIR SUPPLY : LEFT TURN - VALVE OPEN
PORT2 AIR FAILURE : RIGHT TURN - VALVE SHUT

FACE TO FACE : JIS B 2002
END FLANGED : JIS B 2220

No.	NAME OF PARTS	Q. TY	MATERIALS	REMARKS
21	CAP HEAD BOLT	1	SUS 304	
20	INDICATOR	1	SCS 13	
*19	HEXAGON BOLT	2	SUS 304	*EXCEPT 15-65A
18	TORQUE CYLINDER	1		
17	HEXAGON BOLT	4	SUS 304	
16	COUPLING	1	SCS 13	
15	BRACKET	1	SCS 13	
14	HEXAGON NUT	4	SUS 304	
13	GLAND BOLT	2	SUS 304	
12	BODY CAP BOLT	*4	SUS 304	*50-100A 6
11	STEM BEARING	1	P. T. F. E.	GLASS FILLED
10	GLAND PACKING	1SET	P. T. F. E.	
9	THRUST BEARING	1	P. T. F. E.	GLASS FILLED
8	GASKET PACKING	1	P. T. F. E.	
7	BALL SEAT	2	P. T. F. E.	GLASS FILLED
6	GLAND	1	SCS 13	
5	GLAND SLEEVE	1	SUS 316	
4	STEM	1	SUS 304	
3	BALL DISC	1	SCS 13A	
2	BODY CAP	1	SCS 13A	
1	BODY	1	SCS 13A	

No.	NAME OF PARTS	Q. TY	MATERIALS	REMARKS
NAME JIS 10K FLANGED ENDS TORQUE CYLINDER OPE. STRAIGHT WAY BALL VALVES				
TYPE	J-715HYS2	SIZE	15~100A	
DWG.No.	BAAS-5200 ◇	APPROVED BY	K. Furuta	
DATE	APR. 7.2011.	CHECKED BY	H. Asakura	
SCALE	:	DESIGNED BY		
THIRD ANGLE PROJECTION METHOD		DRAWN BY H. Miura		

O. N. INDUSTRIES LTD.