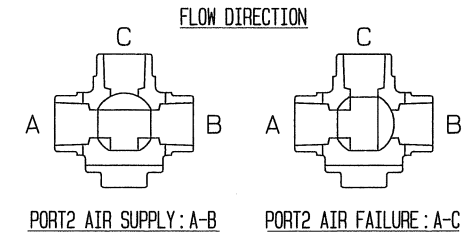


SIZE	P	L	PIPE THREADS		A	B	H	W	F	K	J	M	CYLINDER SIZE	Q, TY
			d											
1	20	100	Rc	1	49.5	27	204	153.5	48.5	36	G1/8	50	AT10US08	
1 1/4	25	115	Rc	1 1/4	57	33.5	224	203.5	50.5	42.5	G1/8	60	AT20US08	
1 1/2	32	125	Rc	1 1/2	65	40	260	241	56.5	49.5	G1/8	65	AT25US08	
2	40	150	Rc	2	76	44	279	259	63	55.5	G1/4	76	AT30US08	

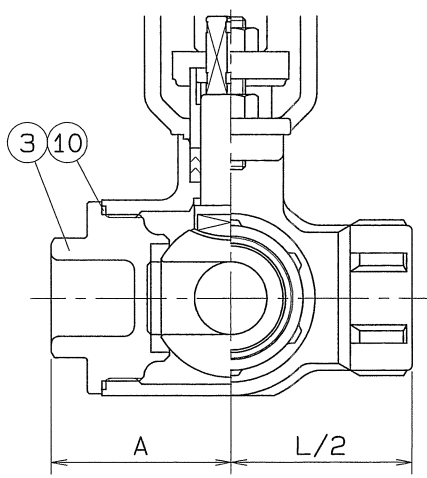
SPEC.		TEST PRESSURE	
FLUID	清水	SHELL	HYDRO 2.1 MPa (21.4kgf/cm ²)
PRESS.	0.98 MPa (10 kgf/cm ²) 以下	SEAT	AIR 0.6 MPa (6.1kgf/cm ²)
TEMP.	常温	AIR	(kgf/cm ²) MPa

注) 上記の流体条件と異なる場合
シリンダサイズが変更になる場合があります。



TORQUE CYLINDER

TYPE	ATUS08		
ACTION	SINGLE	OPERATION PROPERTY	ON-OFF
SUPPLY PRESSURE	0.39 MPa (4 kgf/cm ²)	HAND DEVICE	NOTHING



PIPE THREADS CONFORM WITH 'JIS B 0203'

No.	NAME OF PARTS	Q.TY	MATERIALS	REMARKS
21	CAP HEAD BOLT	1	SUS 304	
20	INDICATOR	1	SCS 13	
19	TORQUE CYLINDER	1		
18	HEXAGON BOLT	4	SUS 304	
17	COUPLING	1	SCS 13	
16	BRACKET	1	SCS 13	
15	HEXAGON NUT	4	SUS 304	
14	GLAND BOLT	2	SUS 304	
13	STEM BEARING	1	P.T.F.E.	GLASS FILLED
12	GLAND PACKING	1SET	P.T.F.E.	
11	THRUST BEARING	1	P.T.F.E.	GLASS FILLED
10	GASKET PACKING	1	P.T.F.E.	
9	GASKET PACKING	2	P.T.F.E.	
8	BALL SEAT	4	P.T.F.E.	
7	GLAND	1	SCS 13	
6	GLAND SLEEVE	1	SUS 316	
5	STEM	1	SUS 304	
4	BALL DISC	1	SUS 304	
3	BLIND CAP	1	SCS 13	
2	BODY CAP	2	SCS 13	
1	BODY	1	SCS 13	

No.	NAME OF PARTS	Q.TY	MATERIALS	REMARKS
NAME JIS 10K SCREWED ENDS TORQUE CYLINDER OPE. THREE WAY BALL VALVES				
TYPE	N-730T-HYS2	SIZE	1~2B	
DWG.No.	BAAS-5197	APPROVED BY	K. Yonet	
DATE	APR. 7.2011	CHECKED BY	H. Asakawa	
SCALE	:	DESIGNED BY		
THIRD ANGLE PROJECTION METHOD	DRAWN BY		H. Miura	

O. N. INDUSTRIES LTD.