

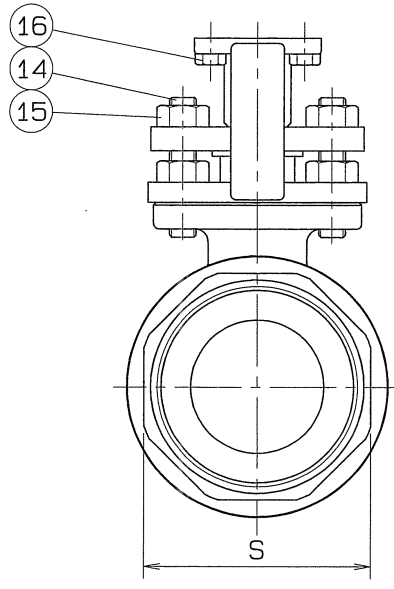
SIZE	P	L	PIPE THREADS	H	W	D	S	F	K	J	M	CYLINDER SIZE	Q, TY
			d										
2·1/2	50	145	Rc 2·1/2	272	241	98	85	56.5	49.5	G1/8	65	AT251US08	
3	65	170	Rc 3	294	259	119	99	63	55.5	G1/4	76	AT301US08	

SPEC.		TEST PRESS.	
FLUID	清水	SHELL	HYDRO 2.1 MPa (21.4kgf/cm ²)
PRESS.	0.98 MPa (10 kgf/cm ²) 以下	SEAT	AIR 0.6 MPa (6.1kgf/cm ²)
TEMP.	常温		AIR (MPa (kgf/cm ²))

注) 上記の流体条件と異なる場合
シリンダサイズが変更になる場合があります。

TORQUE CYLINDER

TYPE	ATUS08	OPERATION PROPERTY	ON-OFF
ACTION	SINGLE	HAND DEVICE	NOTHING
SUPPLY PRESSURE	0.39 MPa (4 kgf/cm ²)		



OPERATION
PORT2 AIR SUPPLY : LEFT TURN - VALVE OPEN
PORT2 AIR FAILURE : RIGHT TURN - VALVE SHUT

PIPE THREADS CONFORM WITH 'JIS B 0203' TAPER

No.	NAME OF PARTS	Q.TY	MATERIALS	REMARKS
19	CAP HEAD BOLT	1	SUS 304	
18	INDICATOR	1	SCS 13	
17	TORQUE CYLINDER	1		
16	HEXAGON BOLT	4	SUS 304	
15	HEXAGON NUT	4	SUS 304	
14	GLAND BOLT	2	SUS 304	
13	COUPLING	1	SCS 13	
12	BRACKET	1	SCS 13	
11	STEM BEARING	1	P.T.F.E.	GLASS FILLED
10	THRUST BEARING	1	P.T.F.E.	GLASS FILLED
9	GLAND PACKING	1	P.T.F.E.	
8	GASKET PACKING	1	P.T.F.E.	
7	BALL SEAT	2	P.T.F.E.	
6	STEM	1	SUS 304	
5	GLAND SLEEVE	1	SUS 316	
4	GLAND	1	SCS 13	
3	BALL DISC	1	SCS 13A	
2	BODY CAP	1	SCS 13A	
1	BODY	1	SCS 13A	

No.	NAME OF PARTS	Q.TY	MATERIALS	REMARKS
NAME	JIS10K SCREWED ENDS (SINGLE ACTION) CYLINDER OPERATED MINI BALL VALVES			
TYPE	N-610HYS2	SIZE	2·1/2, 3B	
DMG.No.	BAAS-5183	APPROVED BY	K. Yumoto	
DATE	APR. 7, 2011	CHECKED BY	H. Miura	
SCALE		DESIGNED BY		
THIRD ANGLE PROJECTION METHOD		DRAWN BY H. Miura		

O. N. INDUSTRIES LTD.