

SIZE	d	L	D	T	BOLT HOLE			A	H	W	F	K	J	M	CYLINDER SIZE	Q, TY
					C	n	h									
20	20	150	100	14	75	4	15	58	208	153.5	48.5	36	G1/8	50	AT101US08	
25	25	165	125	14	90	4	19	58	230	203.5	50.5	42.5	G1/8	60	AT201US08	
40	40	250	140	16	105	4	19	81	283	259	63	55.5	G1/4	76	AT301US08	
50	50	260	155	16	120	4	19	95	346	333	77	69.5	G1/4	93	AT401US08	
65	65	300	175	18	140	4	19	98	354	333	77	69.5	G1/4	93	AT401US08	
80	80	320	185	18	150	8	19	116	441	422.5	93	88	G1/4	110	AT501US08	

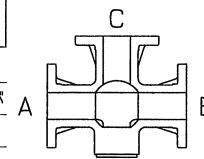
SPEC.		TEST PRESS.	
FLUID	清水	SHELL	2.1 MPa (21.4kgf/cm ²)
PRESS.	0.98 MPa (10 kgf/cm ²) 以下	SEAT	0.6 MPa (6.1kgf/cm ²)
TEMP.	常温	AIR	MPa (kgf/cm ²)

注) 上記の流体条件と異なる場合
シリンダサイズが変更になる場合があります。

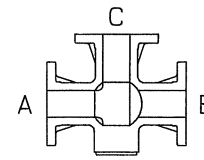
TORQUE CYLINDER

TYPE	ATUS08		
ACTION	SINGLE	OPERATION PROPERTY	ON-OFF
SUPPLY PRESSURE	0.39 MPa (4 kgf/cm ²)	HAND DEVICE	NOTHING

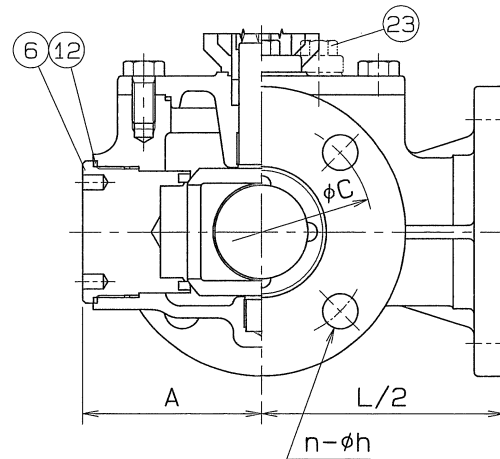
FLOW DIRECTION



PORT2 AIR SUPPLY: A-B



PORT2 AIR FAILURE: A-C



END FLANGED: JIS B 2220

25	CAP HEAD BOLT	1	SUS 304	
24	INDICATOR	1	SCS 13	
*23	HEXAGON BOLT	2	SUS 304	*EXCEPT 20-65A
22	TORQUE CYLINDER	1		
21	HEXAGON BOLT	4	SUS 304	
20	COUPLING	1	SCS 13	
19	BRACKET	1	SCS 13	
18	HEXAGON NUT	4	SUS 304	
17	GLAND BOLT	2	SUS 304	
16	COVER BOLT	*4	SUS 304	*65-80A 6
15	BEARING	1	P.T.F.E.	SUS316 FILLED
14	BEARING	1	P.T.F.E.	SUS316 FILLED
13	"O"RING	3	VITON	
12	GASKET PACKING	1	P.T.F.E.	
11	COVER PACKING	1	P.T.F.E.	
10	GLAND PACKING	1SET	P.T.F.E.	
9	BALL SEAT	4	P.T.F.E.	
8	GLAND	1	SCS 13	
7	GLAND SLEEVE	1	SUS 316	
6	SEAT HOLDER (C)	1	SUS 304	
5	SEAT HOLDER (B)	3	SUS 304	
4	SEAT HOLDER (A)	3	SUS 304	
3	BALL DISC	1	SCS 13A	
2	BODY COVER	1	SCS 13A	
1	BODY	1	SCS 13A	

No.	NAME OF PARTS	Q.TY	MATERIALS	REMARKS
NAME	JIS 10K FLANGED ENDS TORQUE CYLINDER OPE. THREE WAY BALL VALVE			
TYPE	N-737T-HYS2	SIZE	20~80A	
DNQ.No.	BAAS-5180	APPROVED BY	H. Miura	
DATE	APR. 7, 2011	CHECKED BY	H. Miura	
SCALE		DESIGNED BY		
THIRD ANGLE PROJECTION METHOD		DRAWN BY	H. Miura	

O. N. INDUSTRIES LTD.