

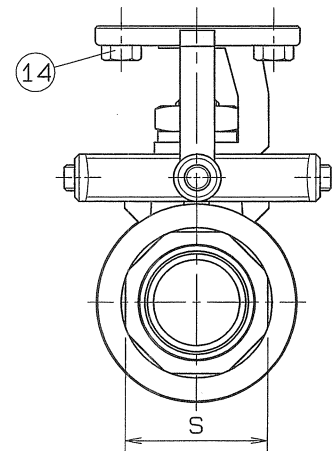
SIZE	P	L	PIPE THREADS		H	D	W	F	K	S	M	CYLINDER SIZE	Q, TY
			d										
1/4	8	55	Rc	1/4	142	27	135.5	42	29	18	43	AT051US4	
3/8	10	57	Rc	3/8	143	30	135.5	42	29	22	43	AT051US4	
1/2	15	72	Rc	1/2	147	38	135.5	42	29	27	43	AT051US4	
3/4	20	82	Rc	3/4	174	46.5	153.5	48.5	36	33	50	AT101US08	
1	25	92	Rc	1	178	54	153.5	48.5	36	40	50	AT101US08	

SPEC.		TEST PRESS.	
FLUID	清水	SHELL	2.1 MPa HYDRO (21.4 kgf/cm <sup>2</sup> )
PRESS.	0.98 MPa (10 kgf/cm <sup>2</sup> ) 以下	SEAT	0.6 MPa AIR (6.1 kgf/cm <sup>2</sup> )
TEMP.	常温		MPa AIR ( kgf/cm <sup>2</sup> )

注) 上記の流体条件と異なる場合  
シリンダサイズが変更になる場合があります。

#### TORQUE CYLINDER

TYPE	ATUS		
ACTION	SINGLE	OPERATION PROPERTY	ON-OFF
SUPPLY PRESSURE	0.39 MPa (4 kgf/cm <sup>2</sup> )	HAND DEVICE	NOTHING



#### OPERATION

PORT2 AIR SUPPLY : LEFT TURN - VALVE OPEN  
PORT2 AIR FAILURE : RIGHT TURN - VALVE SHUT

PIPE THREADS CONFORM WITH "JIS B 0203" TAPER  
No.3 1/4, 3/8B MATERIAL : SUS 304

No.	NAME OF PARTS	Q.TY	MATERIALS	REMARKS
18	CAP HEAD BOLT	1	SUS 304	
17	INDICATOR	1	SCS 13	
16	COUPLING	1	SCS 13	
15	TORQUE CYLINDER	1		
14	HEXAGON BOLT	4	SUS 304	
13	SET BOLT	4	SUS 304	
12	BRACKET	1	SCS 13	
11	HEXAGON NUT	1	SUS 304	
10	SPRING WASHER	1	SUS 304	
9	THRUST BEARING	1	P.T.F.E.	CARBON FILLED
8	THRUST PACKING	1	P.T.F.E.	CARBON FILLED
7	GASKET PACKING	1	P.T.F.E.	
6	BALL SEAT	2	P.T.F.E.	
5	GLAND	1	SUS 316	
4	STEM	1	SUS 304	
3	BALL DISC	1	SCS 13A	
2	BODY CAP	1	SCS 13	
1	BODY	1	SCS 13	
No.	NAME OF PARTS	Q.TY	MATERIALS	REMARKS
NAME	JIS10K SCREWED ENDS (SINGLE ACTION) CYLINDER OPERATED MINI BALL VALVES			
TYPE	N-620HYS2	SIZE	1/4~1B	
DWG.No.	BAAS-5179	APPROVED BY	A. Asai	
DATE	APR. 4, 2011	CHECKED BY	A. Asai	
SCALE	:	DESIGNED BY	R. Matsuda	
THIRD ANGLE PROJECTION METHOD		DRAWN BY		