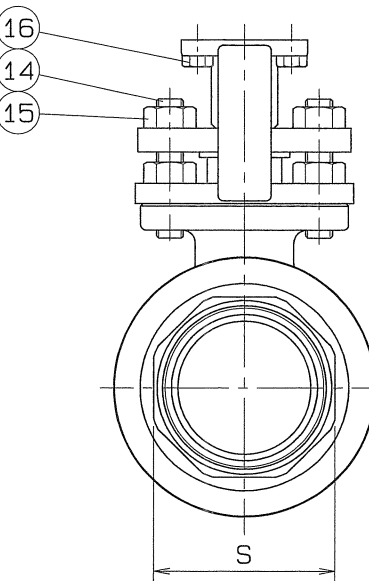
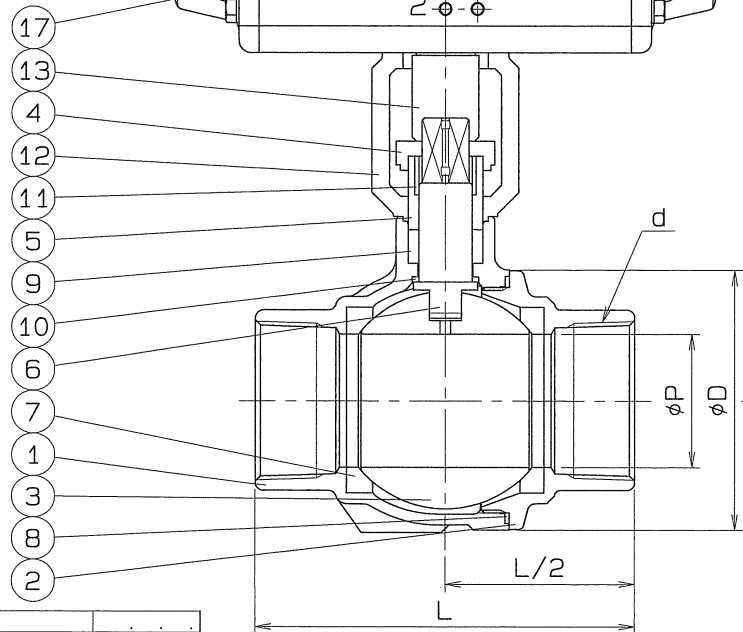
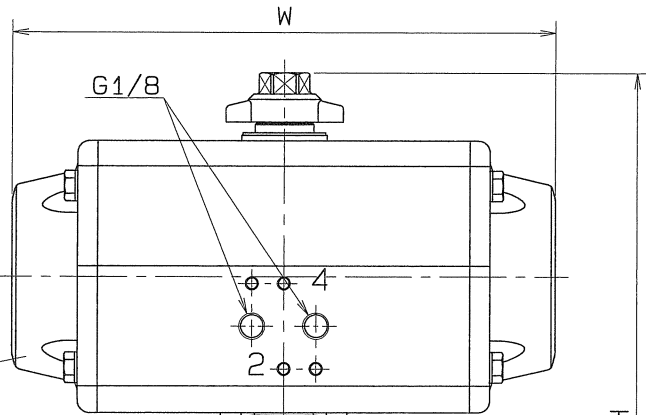
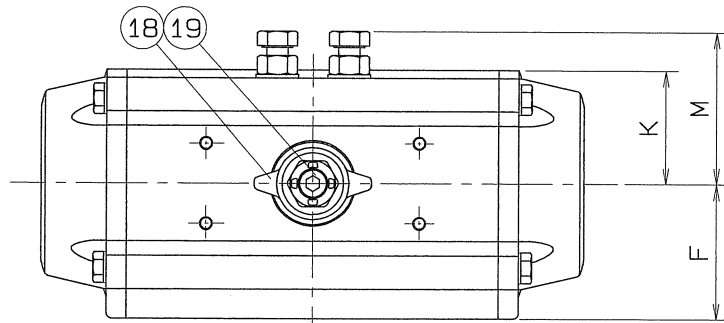


◇ Dwg. No. BAAS-5167



| SIZE | P | L | PIPE THREADS | | H | W | D | S | F | K | M | CYLINDER SIZE | Q, TY |
|-------|----|-----|--------------|-------|-----|-------|-----|----|------|------|----|---------------|-------|
| | | | d | | | | | | | | | | |
| 2 | 50 | 142 | Rc | 2 | 259 | 203.5 | 98 | 68 | 50.5 | 42.5 | 60 | AT201UD | |
| 2 1/2 | 65 | 165 | Rc | 2 1/2 | 269 | 203.5 | 119 | 85 | 50.5 | 42.5 | 60 | AT201UD | |
| 3 | 80 | 190 | Rc | 3 | 300 | 241 | 146 | 99 | 56.5 | 49.5 | 65 | AT251UD | |

| SPEC. | | TEST PRESS. | |
|--------|---------------------------------------|-------------|--|
| FLUID | 清水 | SHELL | HYDRO 2.1 MPa (21.4kgf/cm ²) |
| PRESS. | 0.98 MPa (10 kgf/cm ²) 以下 | SEAT | AIR 0.6 MPa (6.1kgf/cm ²) |
| TEMP. | 常温 | | AIR MPa (kgf/cm ²) |

注) 上記の流体条件と異なる場合
シリンダサイズが変更になる場合があります。

TORQUE CYLINDER

| TYPE | ATUD | | |
|-----------------|-----------------------------------|--------------------|---------|
| ACTION | DOUBLE | OPERATION PROPERTY | ON-OFF |
| SUPPLY PRESSURE | 0.39 MPa (4 kgf/cm ²) | HAND DEVICE | NOTHING |

OPERATION

PORT2 AIR SUPPLY : LEFT TURN - VALVE OPEN
PORT4 AIR SUPPLY : RIGHT TURN - VALVE SHUT

PIPE THREADS CONFORM WITH 'JIS B 0203' TAPER

| No. | NAME OF PARTS | Q. TY | MATERIALS | REMARKS |
|-----|-----------------|-------|-------------|--------------|
| 19 | CAP HEAD BOLT | 1 | SUS 304 | |
| 18 | INDICATOR | 1 | SCS 13 | |
| 17 | TORQUE CYLINDER | 1 | | |
| 16 | HEXAGON BOLT | 4 | SUS 304 | |
| 15 | HEXAGON NUT | 4 | SUS 304 | |
| 14 | GLAND BOLT | 2 | SUS 304 | |
| 13 | COUPLING | 1 | SCS 13 | |
| 12 | BRACKET | 1 | SCS 13 | |
| 11 | STEM BEARING | 1 | P. T. F. E. | GLASS FILLED |
| 10 | THRUST BEARING | 1 | P. T. F. E. | GLASS FILLED |
| 9 | GLAND PACKING | 1 | P. T. F. E. | |
| 8 | GASKET PACKING | 1 | P. T. F. E. | |
| 7 | BALL SEAT | 2 | P. T. F. E. | |
| 6 | STEM | 1 | SUS 304 | |
| 5 | GLAND SLEEVE | 1 | SUS 316 | |
| 4 | GLAND | 1 | SCS 13 | |
| 3 | BALL DISC | 1 | SCS 13A | |
| 2 | BODY CAP | 1 | SCS 13A | |
| 1 | BODY | 1 | SCS 13A | |

| No. | NAME OF PARTS | Q. TY | MATERIALS | REMARKS |
|-------------------------------|--|-------------|-----------------|---------|
| NAME | JIS10K SCREWED ENDS (DOUBLE ACTION) CYLINDER OPERATED MINI BALL VALVES | | | |
| TYPE | N-620HY2 | SIZE | 2~3B | |
| Dwg. No. | BAAS-5167 | APPROVED BY | <i>H. Miura</i> | |
| DATE | FEB. 21. 2011 | CHECKED BY | <i>H. Miura</i> | |
| SCALE | : | DESIGNED BY | - | |
| THIRD ANGLE PROJECTION METHOD | | DRAWN BY | <i>H. Miura</i> | |

O. N. INDUSTRIES LTD.