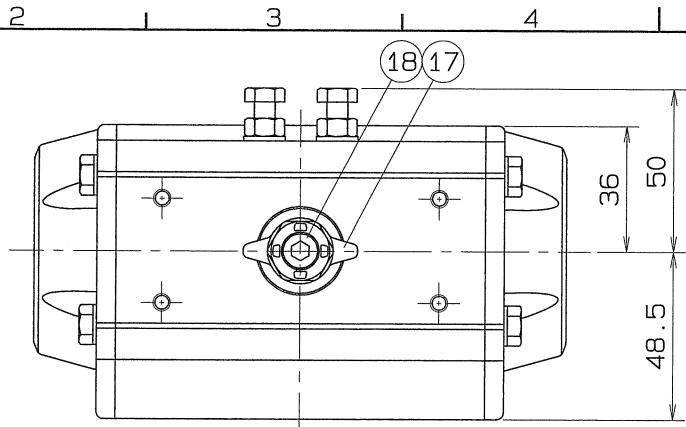


◇ 9915-S-VAAB BAAS-5166 DWG. No.



SIZE	P	L	PIPE THREADS	D	S	H	Q, TY
			d				
1-1/4	32	107	Rc 1-1/4	67	50	187	
1-1/2	40	117	Rc 1-1/2	80	57	193	

SPEC.		TEST PRESS.	
FLUID	清水	SHELL	HYDRO 2.1 MPa (21.4kgf/cm ²)
PPRESS.	0.98 MPa (10 kgf/cm ²) 以下	SEAT	AIR 0.6 MPa (6.1kgf/cm ²)
TEMP.	常温		AIR (MPa (kgf/cm ²))

TORQUE CYLINDER

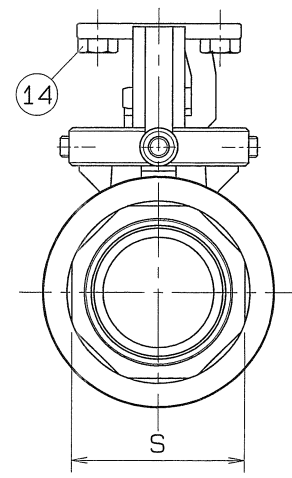
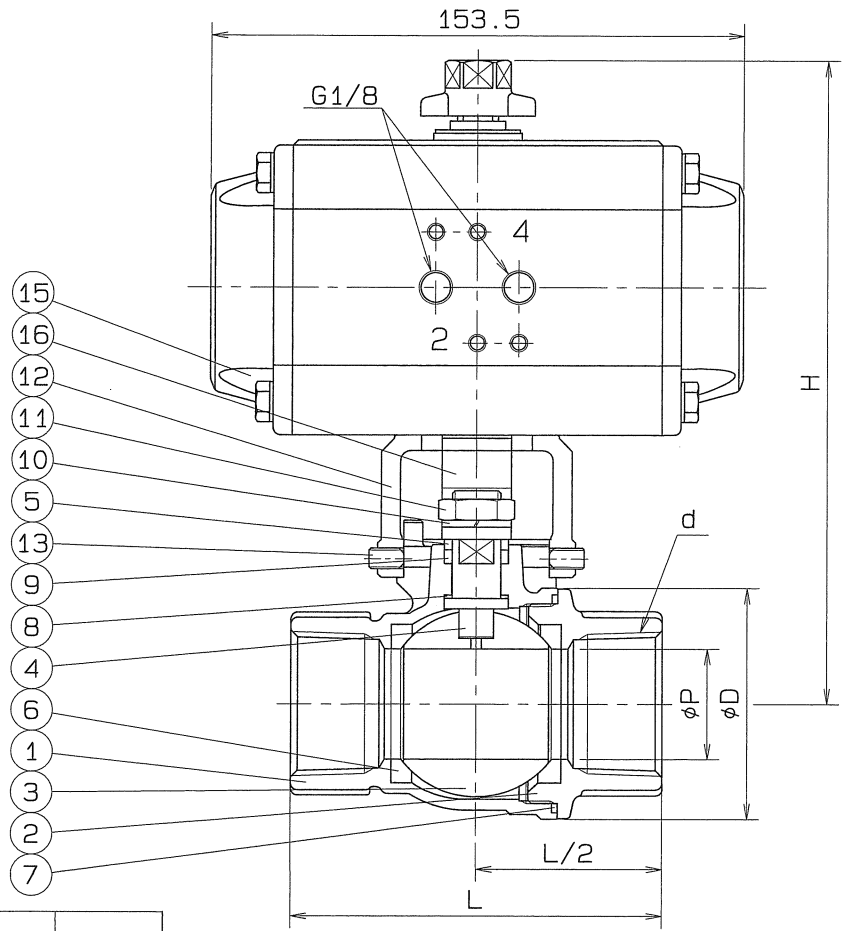
TYPE	AT101UD		
ACTION	DOUBLE	OPERATION PROPERTY	ON-OFF
SUPPLY PRESSURE	0.39 MPa (4 kgf/cm ²)	HAND DEVICE	NOTHING

注) 上記の流体条件と異なる場合
シリンダサイズが変更になる場合があります。

OPERATION

PORT2 AIR SUPPLY : LEFT TURN - VALVE OPEN
PORT4 AIR SUPPLY : RIGHT TURN - VALVE SHUT

PIPE THREADS CONFORM WITH 'JIS B 0203' TAPER



No.	NAME OF PARTS	Q. TY	MATERIALS	REMARKS
18	CAP HEAD BOLT	1	SUS 304	
17	INDICATOR	1	SCS 13	
16	COUPLING	1	SCS 13	
15	TORQUE CYLINDER	1		
14	HEXAGON BOLT	4	SUS 304	
13	SET BOLT	4	SUS 304	
12	BRACKET	1	SCS 13	
11	HEXAGON NUT	1	SUS 304	
10	SPRING WASHER	2	SUS 304	
9	GLAND PACKING	1	P.T.F.E.	
8	THRUST PACKING	1	P.T.F.E.	CARBON FILLED
7	GASKET PACKING	1	P.T.F.E.	
6	BALL SEAT	2	P.T.F.E.	
5	GLAND	1	SUS 316	
4	STEM	1	SUS 316	
3	BALL DISC	1	SCS 13A	
2	BODY CAP	1	SCS 13	
1	BODY	1	SCS 13	

No.	NAME OF PARTS	Q. TY	MATERIALS	REMARKS
NAME	JIS10K SCREWED ENDS (DOUBLE ACTION) CYLINDER OPERATED MINI BALL VALVES			
TYPE	N-620HY2	SIZE	1-1/4, 1-1/2B	
DWG. No.	BAAS-5166 ◇	APPROVED BY	K. Yamoto	
DATE	FEB. 21. 2011	CHECKED BY	H. Miura	
SCALE	:	DESIGNED BY	-	
THIRD ANGLE PROJECTION METHOD		DRAWN BY	H. Miura	