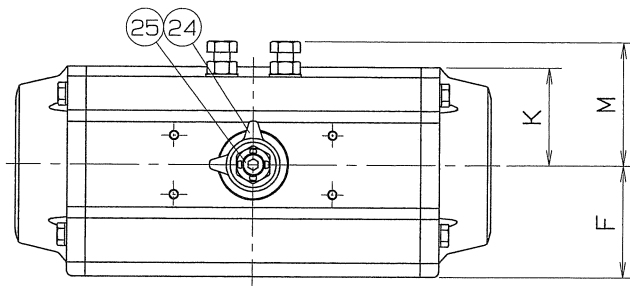
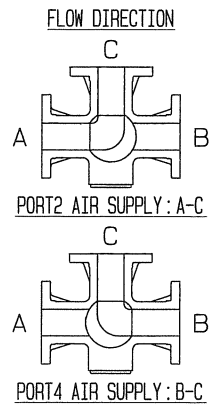


◇ 617G-SVVB 01090

SIZE	d	L	D	T	BOLT HOLE			A	H	W	F	K	M	J	CYLINDER SIZE	Q, TY
					C	n	h									
20	20	150	100	14	75	4	15	58	192	135.5	42	29	43	G1/8	AT051UD	
25	25	165	125	14	90	4	19	58	211	153.5	48.5	36	50	G1/8	AT101UD	
40	40	250	140	16	105	4	19	81	258	203.5	50.5	42.5	60	G1/8	AT201UD	
50	50	260	155	16	120	4	19	95	290	241	56.5	49.5	65	G1/8	AT251UD	
65	65	300	175	18	140	4	19	98	310	259	63	55.5	76	G1/4	AT301UD	
80	80	320	185	18	150	8	19	116	380	333	77	69.5	93	G1/4	AT401UD	
100	100	370	210	18	175	8	19	131	393	333	77	69.5	93	G1/4	AT401UD	



SPEC.		TEST PRESS.	
FLUID	清水	SHELL	2.1 MPa (21.4kgf/cm <sup>2</sup> )
PRESS.	0.98 MPa (10 kgf/cm <sup>2</sup> ) 以下	SEAT	AIR 0.6 MPa (6.1kgf/cm <sup>2</sup> )
TEMP.	常温	AIR	MPa ( kgf/cm <sup>2</sup> )

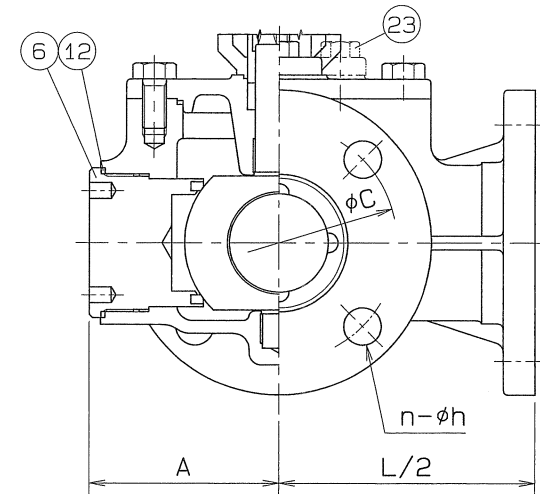
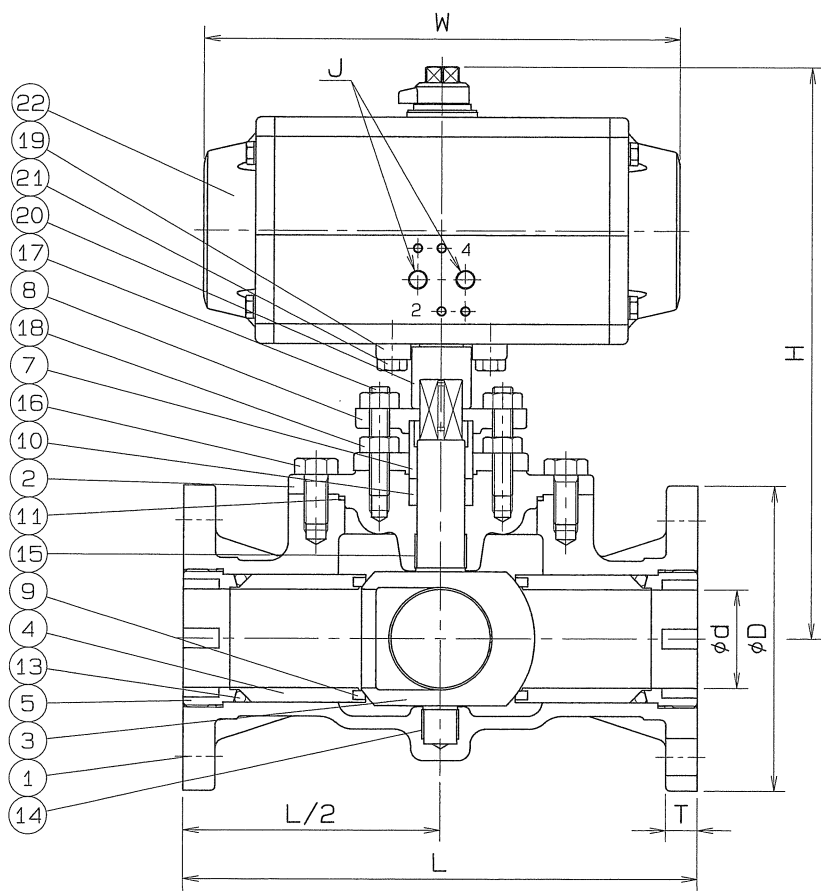


注) 上記の流体条件と異なる場合  
シリンダサイズが変更になる場合があります。

TORQUE CYLINDER			
TYPE	ATUD	OPERATION PROPERTY	ON-OFF
ACTION	DOUBLE	HAND DEVICE	NOTHING
SUPPLY PRESSURE	0.39 MPa (4 kgf/cm <sup>2</sup> )		

END FLANGED: JIS B 2220

No.	NAME OF PARTS	Q. TY	MATERIALS	REMARKS
25	CAP HEAD BOLT	1	SUS 304	
24	INDICATOR	1	SCS 13	
*23	HEXAGON BOLT	2	SUS 304	*EXCEPT 20-65A
22	TORQUE CYLINDER	1		
21	HEXAGON BOLT	4	SUS 304	
20	COUPLING	1	SCS 13	
19	BRACKET	1	SCS 13	
18	HEXAGON NUT	4	SUS 304	
17	GLAND BOLT	2	SUS 304	
16	COVER BOLT	*4	SUS 304	*65-100A 6
15	BEARING	1	P. T. F. E.	SUS316 FILLED
14	BEARING	1	P. T. F. E.	SUS316 FILLED
13	*O' RING	3	VITON	
12	GASKET PACKING	1	P. T. F. E.	
11	COVER PACKING	1	P. T. F. E.	
10	GLAND PACKING	1SET	P. T. F. E.	
9	BALL SEAT	4	P. T. F. E.	
8	GLAND	1	SCS 13	
7	GLAND SLEEVE	1	SUS 316	
6	SEAT HOLDER (C)	1	SUS 304	
5	SEAT HOLDER (B)	3	SUS 304	
4	SEAT HOLDER (A)	3	SUS 304	
3	BALL DISC	1	SCS 13A	
2	BODY COVER	1	SCS 13A	
1	BODY	1	SCS 13A	



NAME JIS 10K F.F. FLANGED ENDS  
TORQUE CYLINDER OPE. THREE WAY BALL VALVE  
TYPE N-737L-HY2 SIZE 20~100A  
DWG.No. BAAS-5149 ◇ APPROVED BY *K. Yamet*  
DATE FEB. 21. 2011. CHECKED BY *H. Ando*  
SCALE : DESIGNED BY  
THIRD ANGLE PROJECTION METHOD DRAWN BY *K. Ichitaka*  
**O. N. INDUSTRIES LTD.**