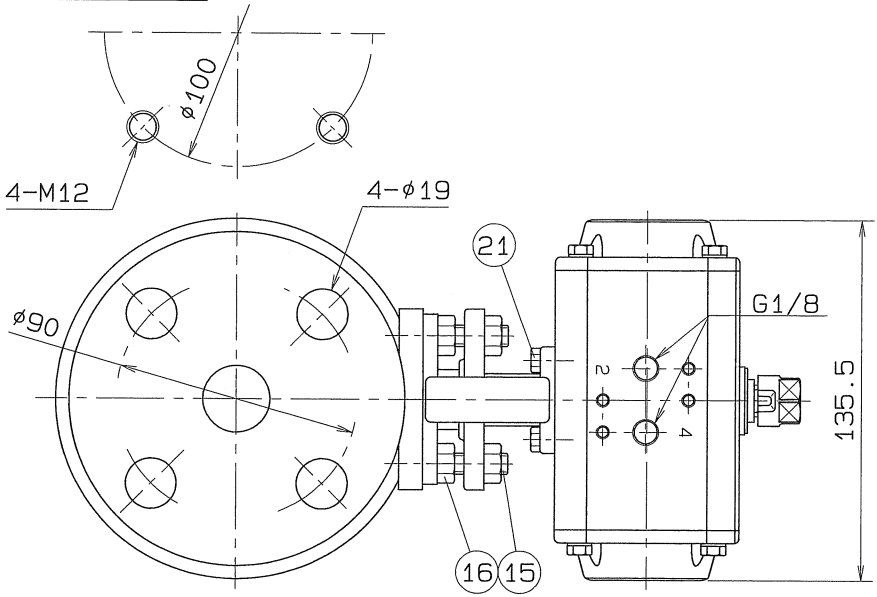


TANK PAD SIDE



| SPEC.  |                                       | TEST PRESSURE |  |
|--------|---------------------------------------|---------------|--|
| FLUID  | 清水                                    | SHELL         | HYDRO 2.1 MPa (21.4kgf/cm <sup>2</sup> ) |
| PRESS. | 0.98 MPa (10 kgf/cm <sup>2</sup> ) 以下 | SEAT          | AIR 0.6 MPa (6.1kgf/cm <sup>2</sup> )    |
| TEMP.  | 常温                                    |               | AIR ( kgf/cm <sup>2</sup> ) MPa          |

注) 上記の流体条件と異なる場合  
シリンダサイズが変更になる場合があります。

TORQUE CYLINDER

| TYPE            | AT051UD                           | OPERATION PROPERTY | ON-OFF  |
|-----------------|-----------------------------------|--------------------|---------|
| ACTION          | DOUBLE                            |                    |         |
| SUPPLY PRESSURE | 0.39 MPa (4 kgf/cm <sup>2</sup> ) | HAND DEVICE        | NOTHING |

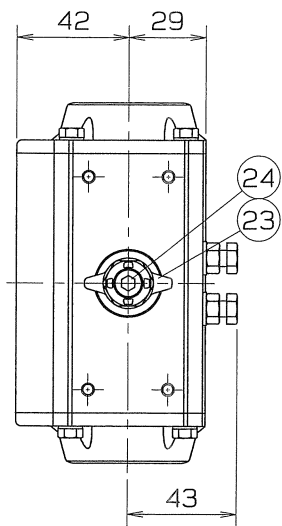
OPERATION

PORT2 AIR SUPPLY : LEFT TURN - VALVE OPEN  
PORT4 AIR SUPPLY : RIGHT TURN - VALVE SHUT

Q.TY :

END FLANGED : JIS B 2220

|    |                 |      |          |              |
|----|-----------------|------|----------|--------------|
| 24 | CAP HEAD BOLT   | 1    | SUS 304  |              |
| 23 | INDICATOR       | 1    | SCS 13   |              |
| 22 | TORQUE CYLINDER | 1    |          |              |
| 21 | HEXAGON BOLT    | 4    | SUS 304  |              |
| 20 | COUPLING        | 1    | SCS 13   |              |
| 19 | BRACKET         | 1    | SCS 13   |              |
| 18 | HEXAGON NUT     | 4    | SUS 304  |              |
| 17 | STUD BOLT       | 4    | SUS 304  |              |
| 16 | HEXAGON NUT     | 4    | SUS 304  |              |
| 15 | GLAND BOLT      | 2    | SUS 304  |              |
| 14 | BODY CAP BOLT   | 4    | SUS 304  |              |
| 13 | PAD PACKING     | 1    | P.T.F.E. | GLASS FILLED |
| 12 | STEM BEARING    | 1    | P.T.F.E. | GLASS FILLED |
| 11 | GLAND PACKING   | 1SET | P.T.F.E. |              |
| 10 | THRUST BEARING  | 1    | P.T.F.E. | GLASS FILLED |
| 9  | GASKET PACKING  | 1    | P.T.F.E. |              |
| 8  | BALL SEAT       | 2    | P.T.F.E. | GLASS FILLED |
| 7  | GLAND           | 1    | SCS 13   |              |
| 6  | GLAND SLEEVE    | 1    | SUS 316  |              |
| 5  | STEM            | 1    | SUS 304  |              |
| 4  | BALL DISC       | 1    | SCS 13A  |              |
| 3  | TANK PAD        | 1    | SCS 13A  |              |
| 2  | BODY CAP        | 1    | SCS 13A  |              |
| 1  | BODY            | 1    | SCS 13A  |              |



| No.   | NAME OF PARTS  | Q.TY        | MATERIALS  | REMARKS |
|---|----------------|-------------|------------|---------|
| NAME JIS 10K FLANGED END TORQUE CYLINDER OPE. TANK BOTTOM BALL VALVES |                |             |            |         |
| TYPE  | N-765HY2       | SIZE        | 25A        |         |
| DMG.No.   | BAAS-5125 ◇    | APPROVED BY | K. Tsuneta |         |
| DATE  | FEB. 14. 2011. | CHECKED BY  | K. Asakida |         |
| SCALE   |                | DESIGNED BY |            |         |
| THIRD ANGLE PROJECTION METHOD   |                | DRAWN BY    | H. Miura   |         |