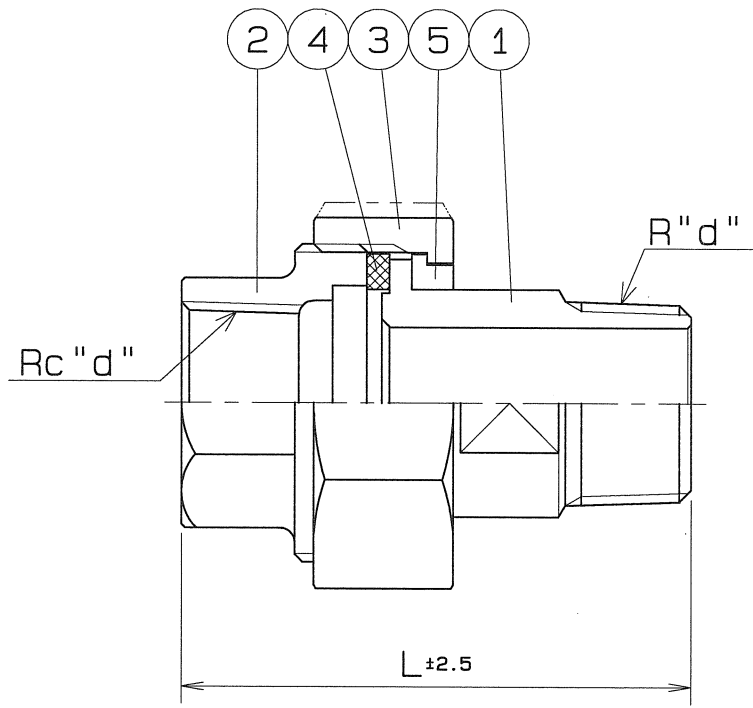
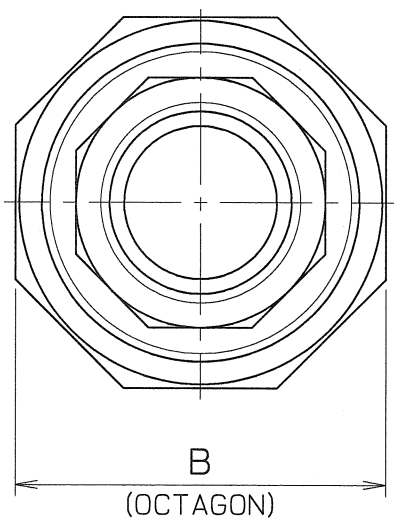


1 | 2 | 3 | 4

SIZE	PIPE TREADS	L	B	Q.TY
	d			
1/2	1/2	62	42	
3/4	3/4	68	49	
1	1	79	59	
1 1/2	1 1/2	97	78	
2	2	110	93	

A

A



SPEC.		TEST PRESSURE	
FLUID		SHELL	AIR 0.6 MPa (6.1 kgf/cm ²)
PRESS.	MAX 1.0 MPa	AIR	(MPa / kgf/cm ²)
TEMP.	MAX 100 °C	AIR	(MPa / kgf/cm ²)

PIPE TREADS CONFORM WITH "JIS B 0203"

5	INSULATION RING	1	POLYACETAL	
4	GASKET	1	HNBR	
3	UNION NUT	1	FCMB 270	
2	UNION SCREW	1	FCMB 270	
1	UNION TSUBA	1	SUS 304	
No.	NAME OF PARTS	Q.TY	MATERIALS	REMARKS

NAME	INSULATION UNION			
TYPE		SIZE	1/2~2B	
DWG.No.	JADU-0078	APPROVED BY	<i>M. Saito</i>	
DATE	JUN. 15. 2011.	CHECKED BY	<i>K. Ishida</i>	
SCALE		DESIGNED BY		
THIRD ANGLE PROJECTION METHOD		DRAWN BY	<i>M. Taka</i>	

B

B

△		
△	材質の訂正	H24. 4.12.

O. N. INDUSTRIES LTD.