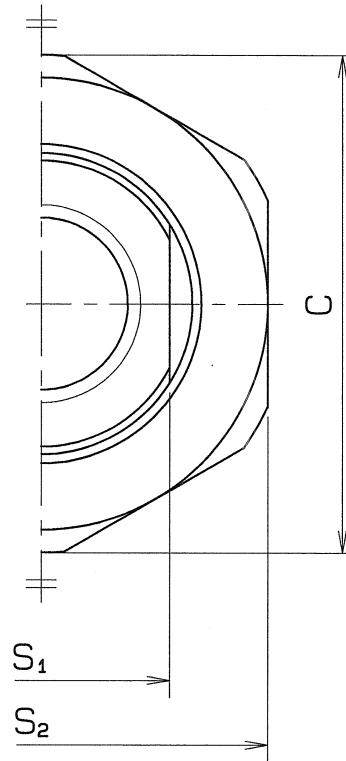
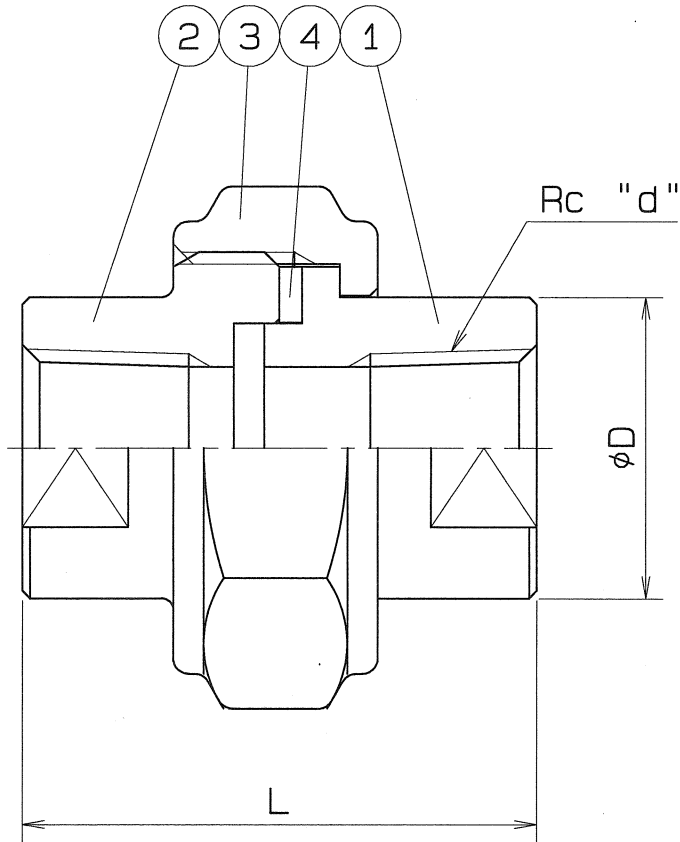


ノンアスベスト



SIZE	PIPE TREADS	L	D	S ₁	S ₂	C	Q.TY
	d						
$\frac{1}{8}$	$\frac{1}{8}$	30.5	16.5	14	26	29	
$\frac{1}{4}$	$\frac{1}{4}$	34	20	17	30	33	

SPEC.		TEST PRESSURE	
FLUID		SHELL	AIR 0.6 MPa (6.1 kgf/cm ²)
PRESS.	MAX 1.0 MPa		AIR (MPa kgf/cm ²)
TEMP.	MAX 130 ℃		AIR (MPa kgf/cm ²)

Q, TY:

*No. 4 : NON-ASBESTOS GASKET

APPLICABLE STANDARD : JIS B 2308

PIPE TREADS CONFORM WITH "JIS B 0203"

No.	NAME OF PARTS	Q.TY	MATERIALS	REMARKS
*4	GASKET	1	P#5650	
3	UNION NUT	1	SCS 13	
2	UNION SCREW	1	SUS 304 SUS 316	
1	UNION TSUBA	1	SUS 304 SUS 316	

NAME	UNION		
TYPE		SIZE	$\frac{1}{8}$ ~ $\frac{1}{4}$ B
DWG.No.	JADU-0069	APPROVED BY	<i>K. Kimoto</i>
DATE	APR. 19. 2005	CHECKED BY	<i>H. Adachi</i>
SCALE		DESIGNED BY	-
THIRD ANGLE PROJECTION METHOD		DRAWN BY	<i>H. Sakai</i>

O. N. INDUSTRIES LTD.

△	1/8追加 (1/8ユニオンナットをロストに変更)	H19. 6. 7.
△	1/8削除 (1/4ユニオンナットをロストに変更)	H18. 4. 22.
△	S ₁ 寸法追加	H17. 9. 26.