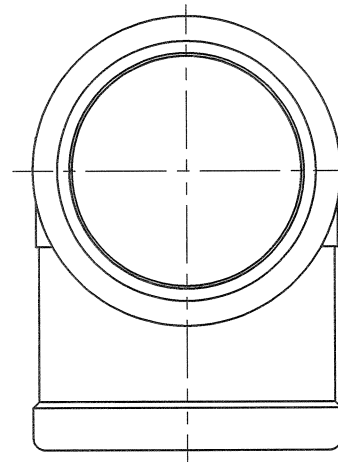
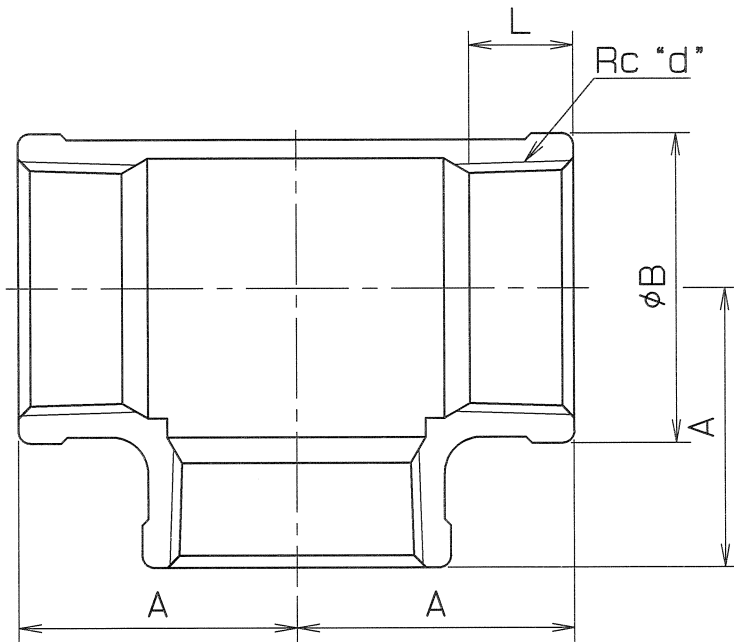


MATERIAL : SCS 13, SCS 14

SIZE	PIPE THREADS	L	A	B	Q, TY
	d				
$3/8$	$3/8$	9	23	23.5	
$1/2$	$1/2$	11	27	26.5	
$3/4$	$3/4$	13	32	32.5	
1	1	15	38	39.5	
$1\frac{1}{4}$	$1\frac{1}{4}$	17	46	51	
$1\frac{1}{2}$	$1\frac{1}{2}$	18	48	58.5	
2	2	20	57	71	
$2\frac{1}{2}$	$2\frac{1}{2}$	23	69	88.5	
3	3	25	78	102	
4	4	28	96	130	



PIPE THREADS CONFORM WITH "JIS B 0203"

SPEC.		TEST PRESSURE	
FLUID		SHELL	0.6 MPa AIR (6.1 kgf/cm ²)
PRESS.	MPa (kgf/cm ²)	AIR	MPa (kgf/cm ²)
TEMP.	°C	AIR	MPa (kgf/cm ²)

NAME		TEE	
TYPE	-	SIZE	$3/8 \sim 4 B$
DWG.No.	JADT-0043	APPROVED BY	<i>M. Yamashita</i>
DATE	AUG. 21. 2000	CHECKED BY	<i>M. Yamashita</i>
SCALE	:	DESIGNED BY	
THIRD ANGLE PROJECTION METHOD		DRAWN BY	<i>M. Yamashita</i>

△	寸法変更	H27.12.17.	山島
△	21/2~4Bの追加	H16. 4. 29.	高井
△	3/8~1Bの追加、検査圧力の変更	H15.10.15.	高井
符号	訂正事由	年.月.日.	訂正者

O. N. INDUSTRIES LTD.