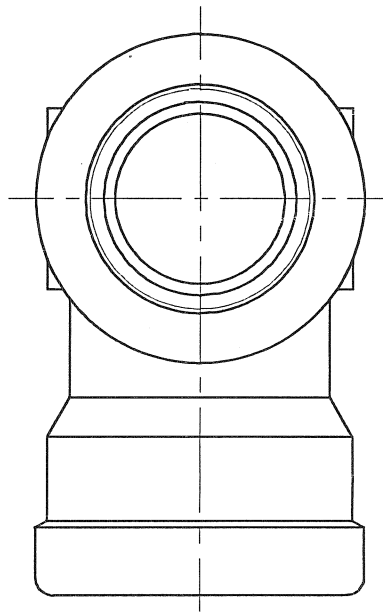
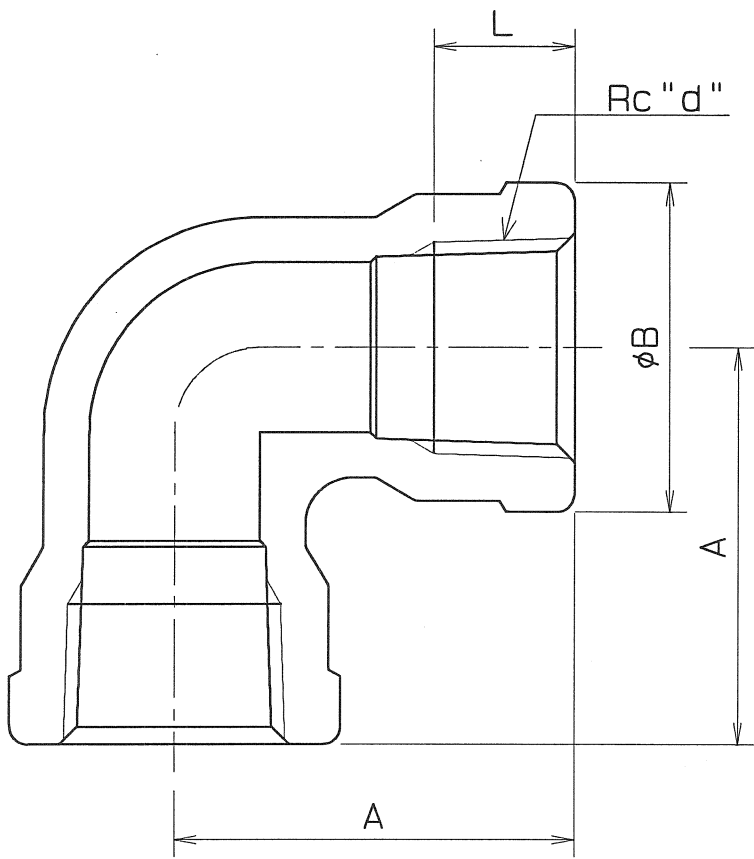


MATERIAL : SCS 13, SCS 14

SIZE	PIPE THREADS	L	A	B	Q, TY
	d				
1/8	1/8	6	17	14.5	
1/4	1/4	9	19	18.0	



PIPE THREADS CONFORM WITH 'JIS B 0203'

SPEC		TEST PRESSURE	
FLUID		SHELL	AIR 0.6 MPa (6.1 kgf/cm <sup>2</sup> )
PRESS.	MPa ( kgf/cm <sup>2</sup> )	AIR	MPa ( kgf/cm <sup>2</sup> )
TEMP.	°C	AIR	MPa ( kgf/cm <sup>2</sup> )

NAME		90° ELBOW	
TYPE	-	SIZE	1/8, 1/4B
ENG.No.	JADL-0046 ◇	APPROVED BY	<i>H. Sumoto</i>
DATE	DEC. 25. 2003	CHECKED BY	<i>Ch. Asakura</i>
SCALE	:	DESIGNED BY	-
THIRD ANGLE PROJECTION METHOD		DRAWN BY	<i>K. Takano</i>

△			
△			
△			
符号	訂正事由	年.月.日.	訂正者

**O. N. INDUSTRIES LTD.**