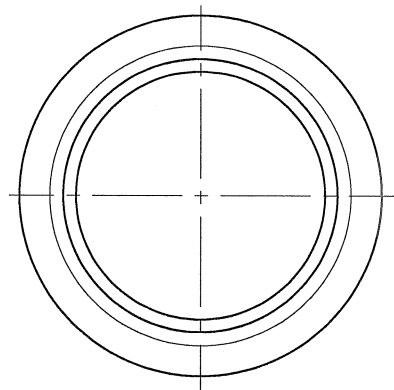
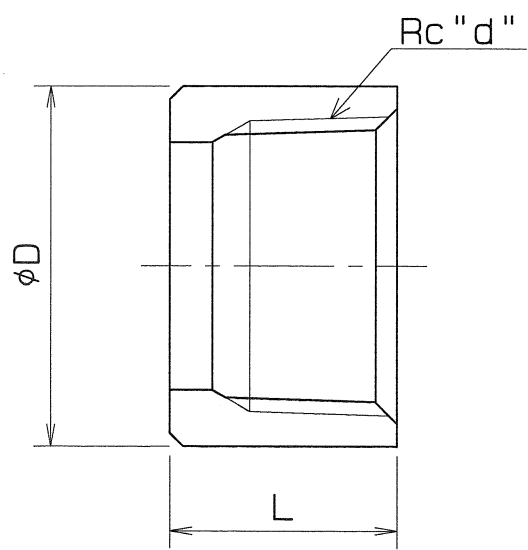


1 | 2 | 3 | 4

SIZE	PIPE THREADS	L	D	Q, TY
	d			
1/4	1/4	18	19.0	
3/8	3/8	18	22.0	
1/2	1/2	21	27.0	
3/4	3/4	21	33.0	
1	1	25	40.0	
1 1/4	1 1/4	27	49.0	
1 1/2	1 1/2	27	55.5	
2	2	32	68.0	

MATERIAL : SUS 304



PIPE THREADS CONFORM WITH 'JIS B 0203'

SPEC.		TEST PRESSURE	
FLUID		SHELL	AIR 0.6 MPa (6.1 kgf/cm ²)
PRESS.	MPa (kgf/cm ²)		MPa (kgf/cm ²)
TEMP.	°C		MPa (kgf/cm ²)

NAME		HALF SOCKET (TAPER THREADS)	
TYPE	-	SIZE	1/4 ~ 2 B
DNQ.No.	JADI-0003 ◇	APPROVED BY	<i>R. Matsuki</i>
DATE	AUG. 12. 2008.	CHECKED BY	<i>A. K. G. G.</i>
SCALE	:	DESIGNED BY	<i>R. Matsuki</i>
THIRD ANGLE PROJECTION METHOD		DRAWN BY	

O. N. INDUSTRIES LTD.

A

A

B

B

△		
△		
△		