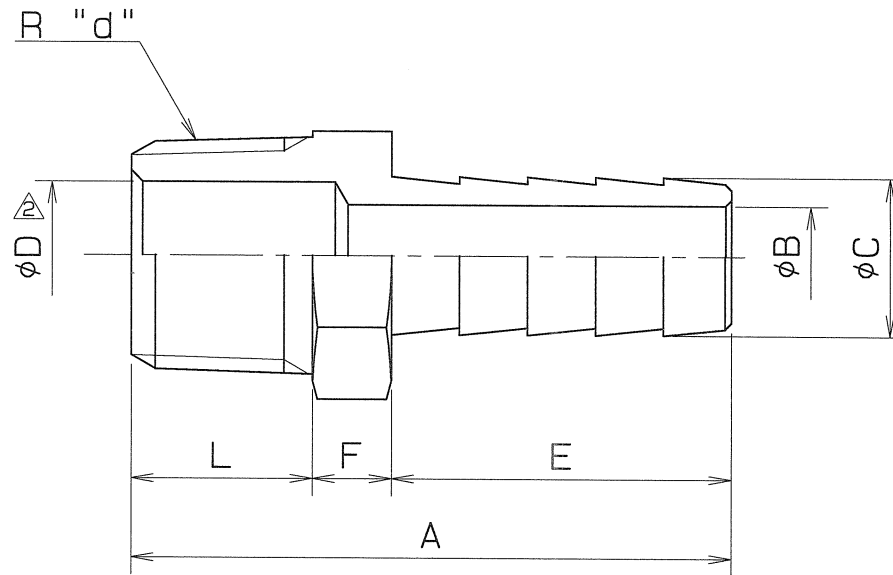
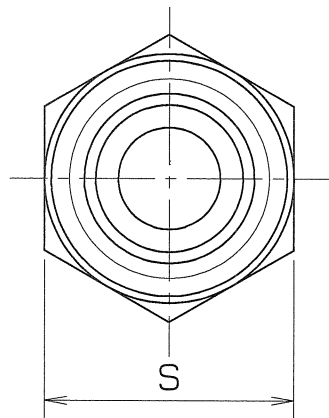


SIZE	PIPE TREADS	L	A	B	C	D	E	F	S	Q, TY
	d									
1/4	1/4	12	43	5	9	7	25	6	14	
3/8	3/8	13	45	6	11	9	25	7	17	
1/2	1/2	16	53	9	14	13	30	7	22	



MATERIAL : SUS 304 , SUS 316



PIPE THREAD CONFORM WITH "JIS B 0203"

SPEC.		TEST PRESSURE	
FLUID		SHELL	AIR 0.6 MPa (6.1 kgf/cm <sup>2</sup> )
PRESS.	MPa ( kgf/cm <sup>2</sup> )	AIR	MPa ( kgf/cm <sup>2</sup> )
TEMP.	°C	AIR	MPa ( kgf/cm <sup>2</sup> )

NAME		HOSE NIPPLE	
TYPE		SIZE	1/4~1/2B
DWG.No.	JADH-0019	APPROVED BY	<i>K. Yamoto</i>
DATE	APR. 18. 1997.	CHECKED BY	<i>K. Yamoto</i>
SCALE	:	DESIGNED BY	
THIRD ANGLE PROJECTION METHOD		DRAWN BY	<i>K. Takahara</i>

**O. N. INDUSTRIES LTD.**

△		
△	検査圧力の変更・寸法追加	H19. 6. 7.
△	検査圧力の変更	H11. 5. 10.