

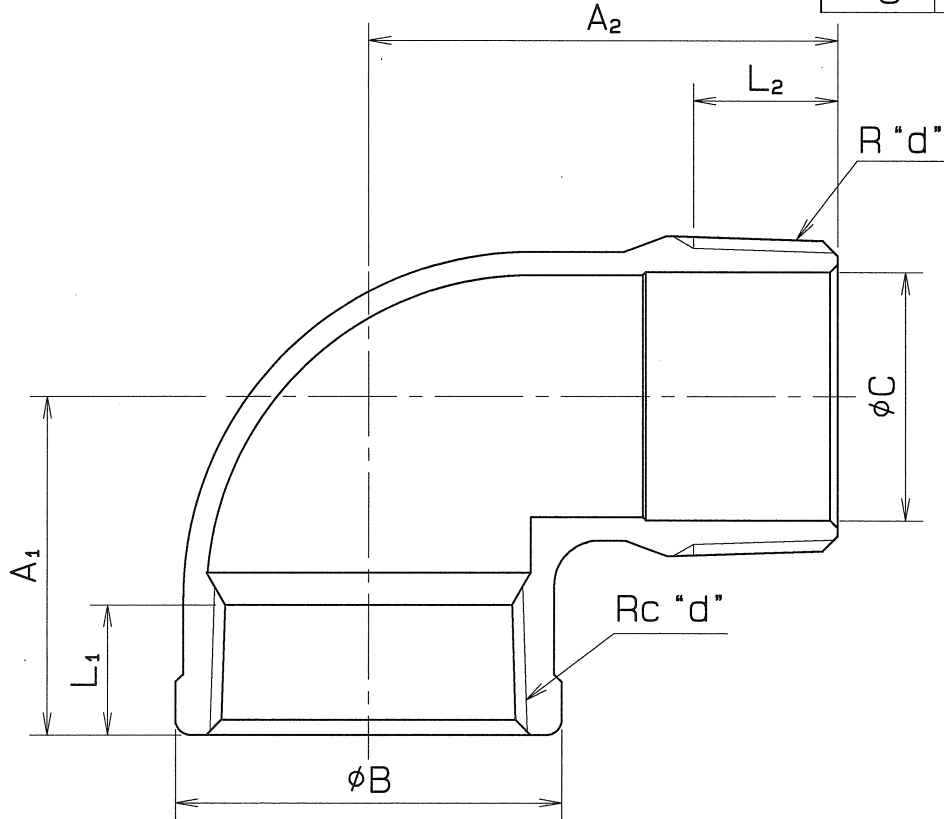
1 | 2 | 3 | 4

MATERIAL : SCS 13, SCS 14

SIZE	PIPE THREADS	L ₁	L ₂	A ₁	A ₂	B	C	Q, TY
	d							
1 ¹ / ₄	1 ¹ / ₄	17	19	45	62	51	33	
1 ¹ / ₂	1 ¹ / ₂	18	19	48	68	58.5	38	
2	2	21	23	57	79	71	50	
2 ¹ / ₂	2 ¹ / ₂	23	27	69	85	88.5	64	
3	3	25	30	78	98	102	75	

A

B



A

B

PIPE THREADS CONFORM WITH 'JIS B 0203'

△		
△	検査圧力の変更	H19. 6. 7.
△	2 1/2, 3B追加	H14. 7. 30

SPEC.		TEST PRESSURE	
FLUID		SHELL	AIR 0.6 MPa (6.1 kgf/cm ²)
PRESS.	MPa (kgf/cm ²)	AIR	MPa (kgf/cm ²)
TEMP.	°C	AIR	MPa (kgf/cm ²)

NAME	STREET ELBOW		
TYPE	-	SIZE	1 ¹ / ₄ ~ 3 B
DWG.No.	JADA-0023	APPROVED BY	<i>H. Yamato</i>
DATE	AUG. 21. 2000	CHECKED BY	<i>H. Adachi</i>
SCALE	:	DESIGNED BY	-
THIRD ANGLE PROJECTION METHOD		DRAWN BY	<i>M. Sakai</i>

O. N. INDUSTRIES LTD.