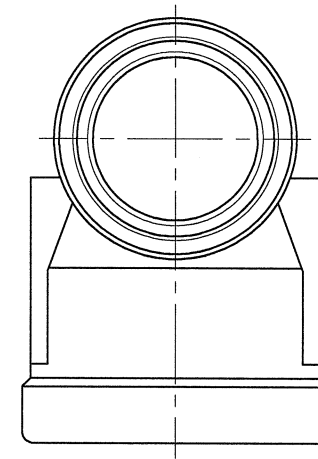
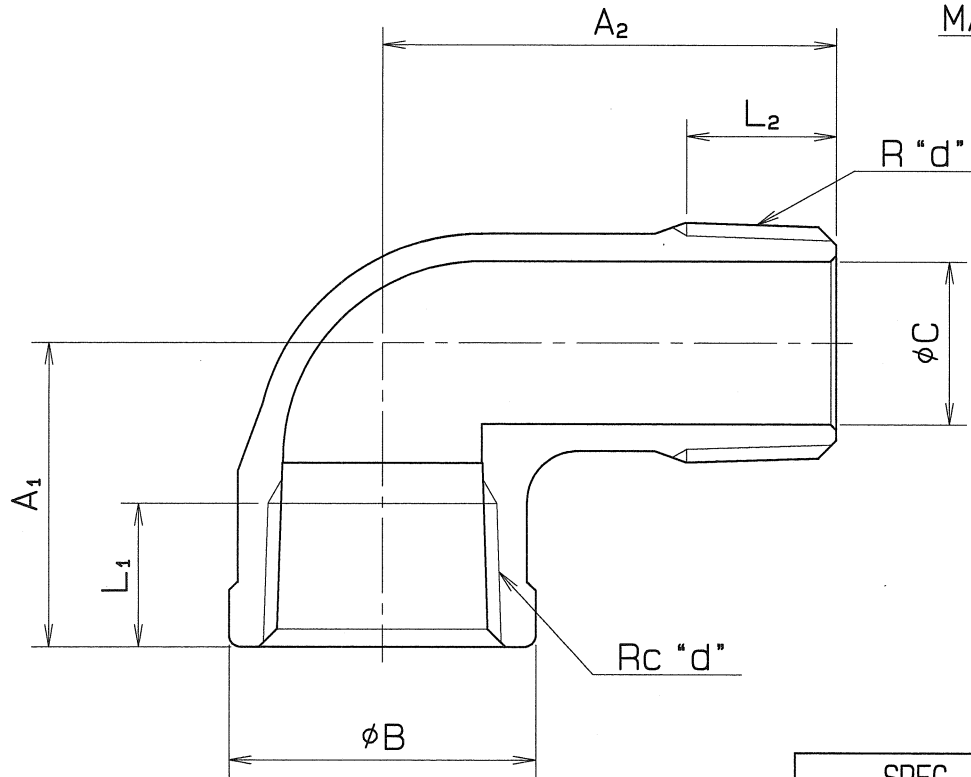


SIZE	PIPE THREADS	L ₁	L ₂	A ₁	A ₂	B	C	Q, TY
	d							
1/8	1/8	6.2	6.5	17	26	14.5	5.5	
1/4	1/4	9.4	9.8	19	30	19	7.5	
3/8	3/8	9.7	10.1	23	35	22.5	11	
1/2	1/2	12.7	13.2	27	40	27	14.5	
3/4	3/4	14.1	14.6	32	47	33.5	19.5	
1	1	16.2	17.5	38	54	40.5	25.5	

MATERIAL : SCS 13, SCS 14



PIPE THREADS CONFORM WITH "JIS B 0203"

SPEC		TEST PRESSURE	
FLUID		SHELL	AIR 0.6 MPa (6.1 kgf/cm ²)
PRESS.	MPa (kgf/cm ²)		MPa (kgf/cm ²)
TEMP.	°C		MPa (kgf/cm ²)

NAME		STREET ELBOW	
TYPE	-	SIZE	1/8~1B
DWG.No.	JADA-0021	APPROVED BY	<i>K. Sunoh</i>
DATE	OCT. 24. 1997	CHECKED BY	<i>M. Adachi</i>
SCALE	:	DESIGNED BY	-
THIRD ANGLE PROJECTION METHOD		DRAWN BY <i>M. Sakai</i>	

O. N. INDUSTRIES LTD.

△	検査圧力の変更	H19. 6. 7.
△	1B追加	H11. 2.27.