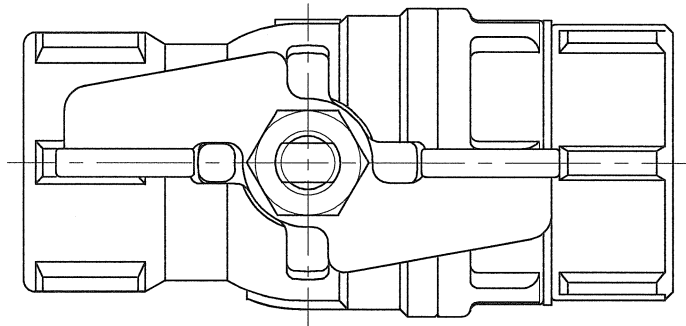


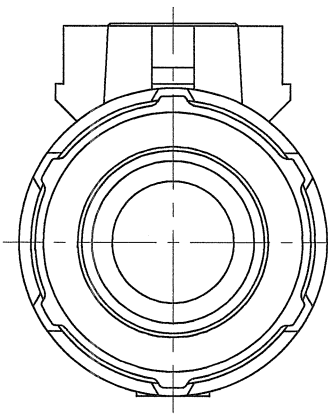
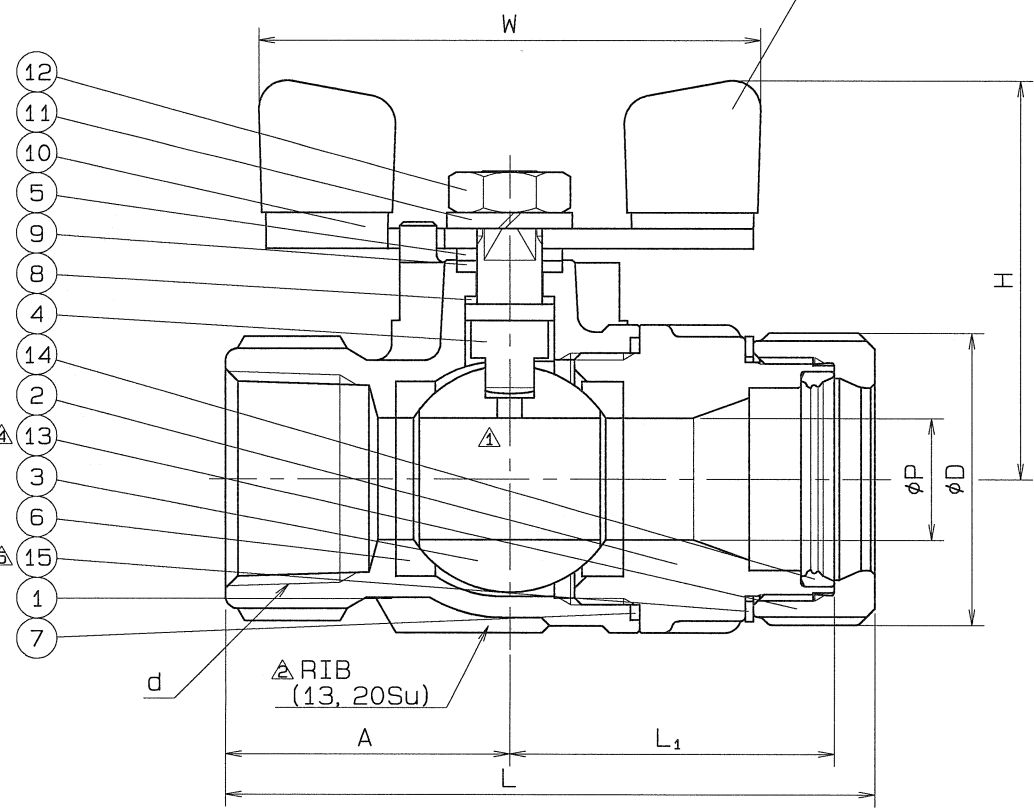
◇ E880-SWVB '0N 9M0

SIZE	PIPE THREADS	P	L	H	W	A	L ₁	D	Q, TY
	d								
△ 13	Rc 1/2	10	69	46	60	30	35	31	
△ 20	Rc 3/4	15	80	50	60	35	40	36	
△ 25	Rc 1	20	88.5	58	80	40	42.5	46	
△ 30	Rc 1	20	89.5	58	80	40	42.5	53	



SPEC.		TEST PRESS.	
FLUID		SHELL	HYDRO 3.5 MPa (35.7 kgf/cm ²)
△ PRESS.	MAX 2.0 MPa (20.4 kgf/cm ²)	SEAT	AIR 0.6 MPa (6.1 kgf/cm ²)
△ TEMP.	MAX 100°C		AIR (MPa kgf/cm ²)

PVC COATING



PIPE THREADS CONFORM WITH 'JIS B 0203'

△ *SPECIAL TEFLON

No.	NAME OF PARTS	Q. TY	MATERIALS	REMARKS
△ 15	CONICAL WASHER	1	JFE443CT	
14	RUBBER PACKING	1	SYNTHETIC RUBBER (HNBR)	
△ 13	NUT	1	SCS 13	
12	HEXAGON NUT	1	SUS 304	
11	SPRING WASHER	1	SUS 304	
10	HANDLE	1	SUS 304	
9	THRUST BEARING	1	P.T.F.E.	CARBON FILLED
8	THRUST BEARING	1	P.T.F.E.	CARBON FILLED
7	GASKET PACKING	1	P.T.F.E.	
△ 6	BALL SEAT	2	P.T.F.E.	*
5	GLAND	1	SUS 316	
4	STEM	1	SUS 316	
△ 3	BALL DISC	1	SCS 13A	13Su-SUS 304
2	BODY CAP	1	SCS 13	
1	BODY	1	SCS 13	

NAME	NICE JOINT AND SCREWED ENDS MINI BALL VALVES		
TYPE	NJ-610	SIZE	13~30Su
DNQ.No.	BAMS-0883 ◇	APPROVED BY	<i>H. Sakai</i>
DATE	NOV. 21. 2002.	CHECKED BY	<i>H. Sakai</i>
SCALE		DESIGNED BY	
THIRD ANGLE PROJECTION METHOD	DRAWN BY <i>H. Sakai</i>		

△ 使用圧力, 使用温度追加	H24. 1. 13.
△ 検査圧力の変更	H23. 2. 9.
△ 皿ワッシャ材質変更	H22. 2. 10.

O. N. INDUSTRIES LTD.