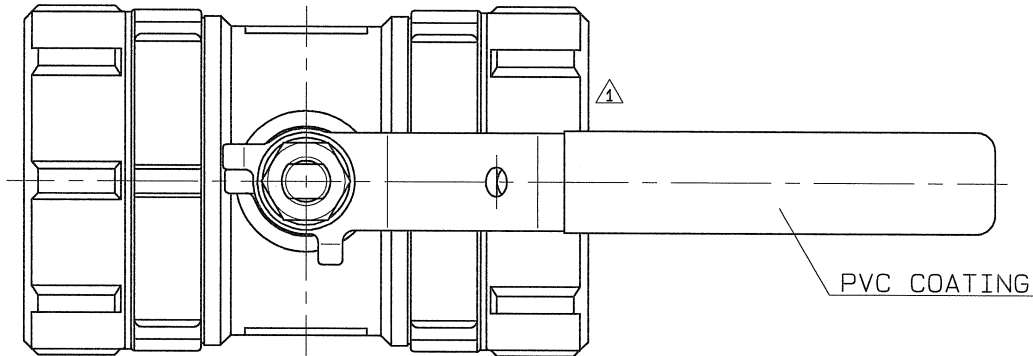
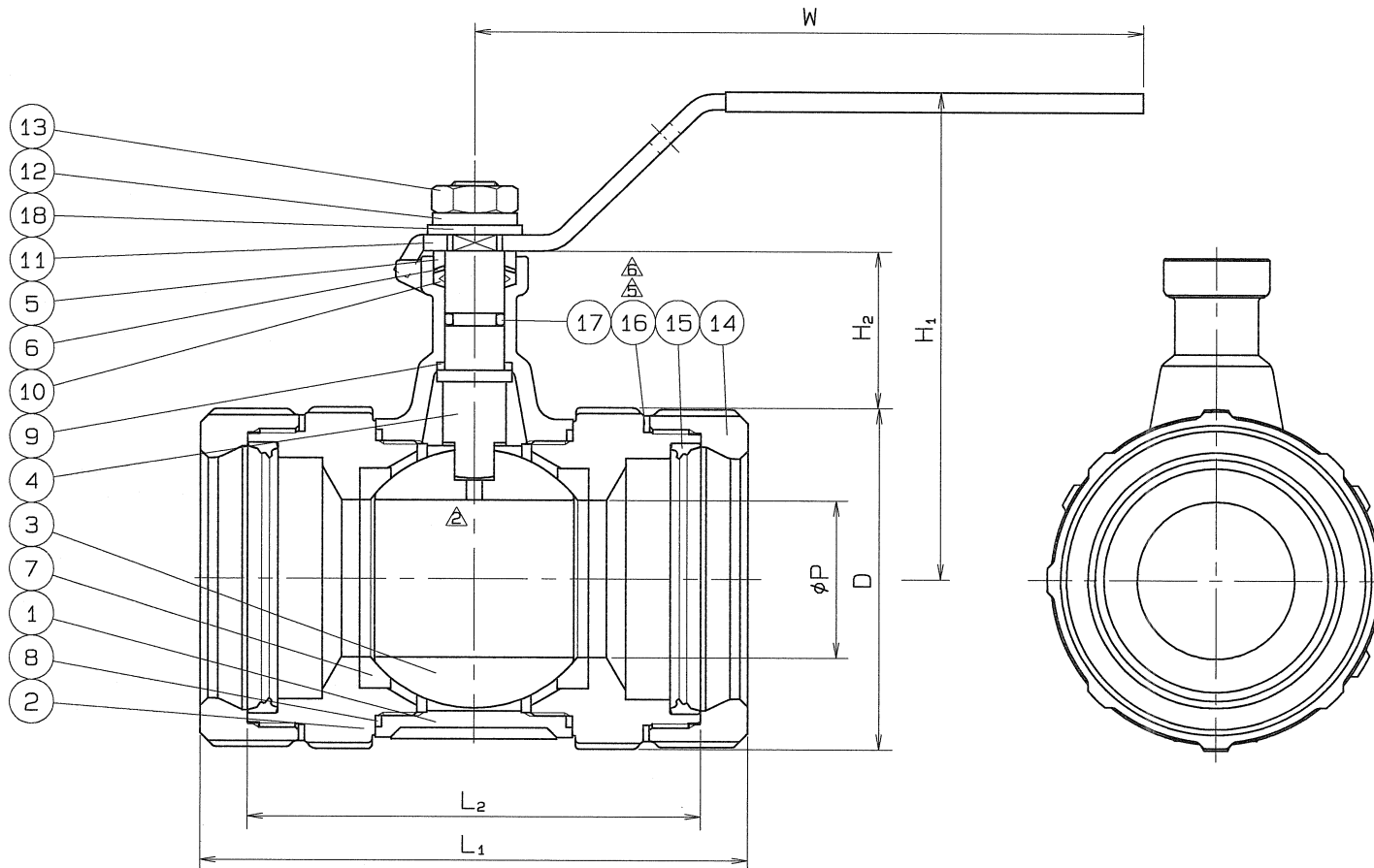


◇ Z890-SWAB 'ON' OMC

SIZE	P	L ₁	L ₂	H ₁	H ₂	W	D	Q, TY
50 Su	32	125	105	119	41	170	72	
60 Su	40	139	115	125	40	170	87	



SPEC.		TEST PRESS.	
FLUID		SHELL	HYDRO 3.5 MPa (35.7 kgf/cm ²)
△ PRESS.	MAX 2.0 MPa (20.4 kgf/cm ²)	SEAT	AIR 0.6 MPa (6.1 kgf/cm ²)
△ TEMP.	MAX 100°C	AIR	MPa (kgf/cm ²)



△*SPECIAL TEFLON

No.	NAME OF PARTS	Q. TY	MATERIALS	REMARKS
18	PLAIN WASHER	1	SUS 304	
17	O RING	1	VITON	
△ △ 16	CONICAL WASHER	2	JFE443CT	
15	RUBBER PACKING	2	SYNTHETIC RUBBER (HNBR)	
14	NUT	2	SCS 13	
13	HEXAGON NUT	1	SUS 304	
12	SPRING WASHER	1	SUS 304	
11	HANDLE	1	SUS 304	
10	GLAND PACKING	1	P.T.F.E.	
9	BEARING	1	P.T.F.E.	CARBON FILLED
8	GASKET PACKING	2	P.T.F.E.	
△ 7	BALL SEAT	2	P.T.F.E.	*
6	WASHER	1	SUS 304CSP	
5	GLAND BUSHING	1	SUS 304	
4	STEM	1	SUS 304	
△ 3	BALL DISC	1	SCS 13A	
2	BODY CAP	2	SCS 13	
1	BODY	1	SCS 13	

NAME	NICE JOINT ENDS REDUCED BORE LONG NECK TYPE MINI BALL VALVES		
TYPE	NJ-200	SIZE	50, 60 Su
DATE	MAY. 10. 2000	APPROVED BY	<i>[Signature]</i>
SCALE	:	CHECKED BY	<i>[Signature]</i>
THIRD ANGLE PROJECTION METHOD		DRAWN BY	<i>[Signature]</i>

△ 使用圧力, 使用温度追加	H24. 1. 13.
△ 検査圧力の変更	H23. 2. 9.
△ 皿ワッシャ材質変更 (60Su)	H22. 2. 10.

O. N. INDUSTRIES LTD.