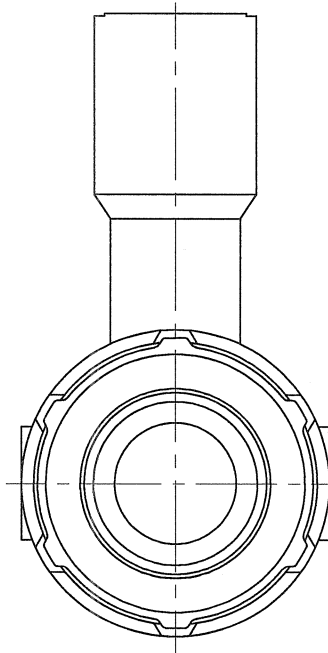
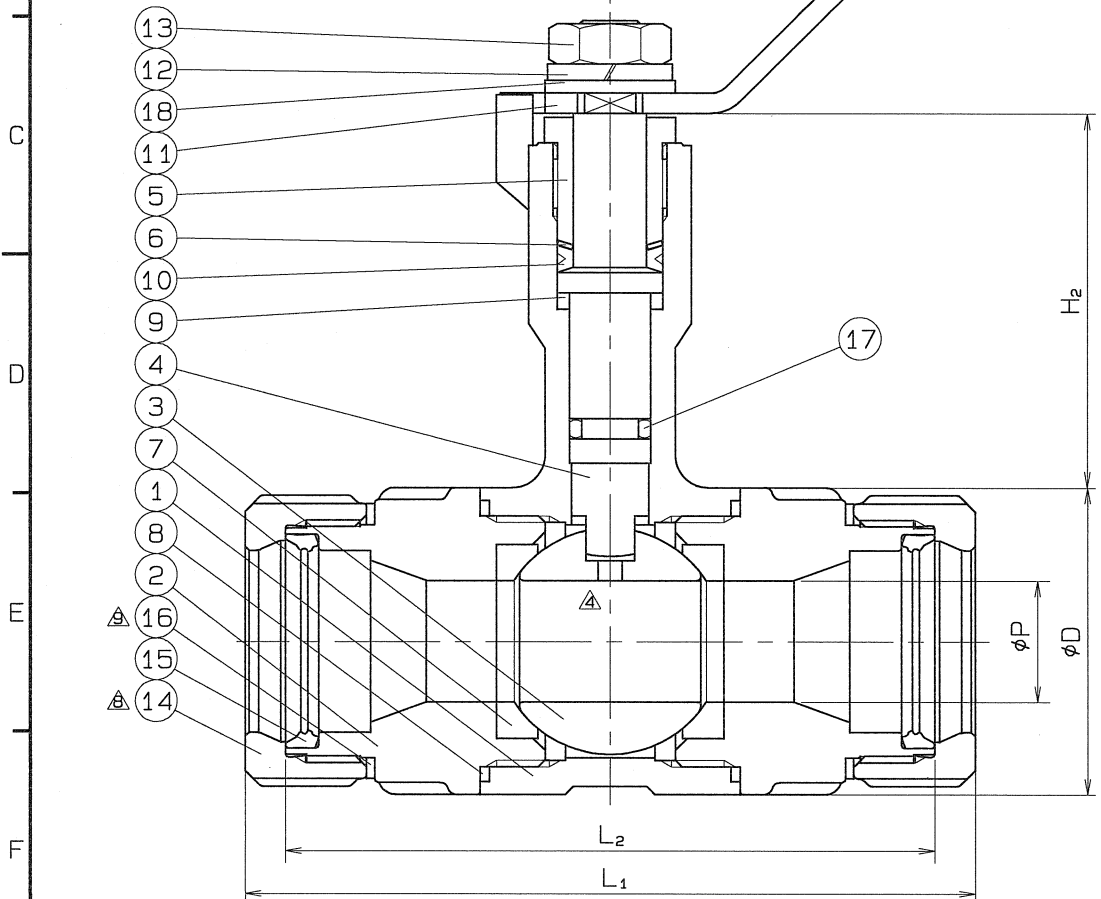


SIZE	P	L ₁	L ₂	H ₁	H ₂	W	D	Q, TY
△ 13 Su	10	78	70	87	44	100	33	
△ 20 Su	15	90	80	91	45	100	38	
△ 25 Su	20	97	85	101	46	130	47	
30 Su	20	99	85	101	42	130	54	
40 Su	25	108	90	104	41	130	64	

SPEC.		TEST PRESS.	
FLUID		SHELL	HYDRD 3.5 MPa (35.7 kgf/cm ²)
△ PRESS.	MAX 2.0 MPa (20.4 kgf/cm ²)	SEAT	AIR 0.6 MPa (6.1 kgf/cm ²)
△ TEMP.	MAX 100℃	AIR	MPa (kgf/cm ²)



△ No.3 13Su MATERIAL : SUS 304
 △ *SPECIAL TEFLON

No.	NAME OF PARTS	Q. TY	MATERIALS	REMARKS
18	PLAIN WASHER	1	SUS 304	
17	O RING	1	VITON	
△ 16	CONICAL WASHER	2	JFE443CT	
15	RUBBER PACKIG	2	SYNTHETIC RUBBER (HNBR)	
△ 14	NUT	2	SCS 13	
13	HEXAGON NUT	1	SUS 304	
12	SPRING WASHER	1	SUS 304	
11	HANDLE	1	SUS 304	
10	GLAND PACKING	1	P.T.F.E.	
9	BEARING	1	P.T.F.E.	CARBON FILLED
8	GASKET PACKING	2	P.T.F.E.	
△ 7	BALL SEAT	2	P.T.F.E.	*
△ 6	WASHER	1	SUS 304CSP	
△ 5	GLAND BUSHING	1	SCS 13	
4	STEM	1	SUS 304	
△ 3	BALL DISC	1	SCS 13A	△
2	BODY CAP	2	SCS 13	
1	BODY	1	SCS 13	

No.	NAME OF PARTS	Q. TY	MATERIALS	REMARKS
NAME NICE JOINT ENDS REDUCED BORE LONG NECK TYPE MINI BALL VALVES				
TYPE NJ-200		SIZE 13~40Su		
Dwg.No. BAMS-0796		APPROVED BY <i>[Signature]</i>		
DATE JUN. 7. 1997		CHECKED BY <i>[Signature]</i>		
SCALE :		DESIGNED BY <i>[Signature]</i>		
THIRD ANGLE PROJECTION METHOD		DRAWN BY <i>[Signature]</i>		

△ 使用圧力, 使用温度追加	H24. 1. 13.
△ 検査圧力の変更	H23. 2. 9.
△ 皿ワッシャ材質変更	H22. 2. 10.

O. N. INDUSTRIES LTD.